

# EDI technical specification



**SCM V2**  
**Syndicate Claim Message: Lloyd's**  
January 2023

## USE OF THE TECHNICAL SPECIFICATION

**Update - January 2023:** This technical specification was released in January 2023 and replaces the previous version dated December 2021. The following changes have been made:

- References to Xchanging have been replaced with DXC.
- Queries are referred to the DXC Service Desk with details provided.
- Formatting has been applied to reflect the technical specification has been published by the London Market Joint Venture.
- 5 Claim Entry Advice Group 1: OCR Usage Code suffix- (OCR) stated on the tech spec as not in use, but conditional element in use as per the mainframe findings;
- 5 Claim Entry Advice Group 1: Broker Telephone Number (BKR) - length as per tech spec is X(35), as per Mainframe Findings should be X(20);
- 5 Claim Entry Advice Group 1: Broker Contact Name (BKR) - length as per tech spec is X(35), as per Mainframe Findings should be X(15)
- 5 Claim Entry Advice Group 1: Reinsured/Retrocedant (INR) - stated on the tech spec as not in use, but conditional element in use as per the mainframe findings;
- 5 Claim Entry Advice Group 8: Leading U/Wr's Estimate (LUR) - stated on the tech spec as not in use, but in use as per the mainframe findings;
- 5 Claim Entry Advice Group 8: Leading U/Wr's Estimate Qualifier (LUR) - stated on the tech spec as not in use, but in use as per the mainframe findings;
- 5 Claim Entry Advice Group 8: Unique Market Reference (UMR)- length as per tech spec is X(17), as per Mainframe Findings should be X(18);
- Appendix B: Any reference to PIAD has been amended to PIAE.

**This technical specification has been compiled for the guidance of LIRMA, DXC and Corporation Staff. DXC accepts no liability in respect of any inaccuracy contained herein.**

## USE OF THE MANUAL

**Enquiries concerning the Manual should be addressed to:**

### **MESSAGING TEAM:**

TELEPHONE NUMBER: +44 2036046743

EMAIL: [XISProductionITMsg@dxc.com](mailto:XISProductionITMsg@dxc.com)

### **DXC SERVICE DESK:**

TELEPHONE NUMBER: 0870 380 0830

EMAIL: [service.centre@dxc.com](mailto:service.centre@dxc.com)

## Table of Contents

<b>1</b>	<b>RECORD OF AMENDMENTS</b> .....	<b>1</b>
<b>2</b>	<b>INTRODUCTION</b> .....	<b>5</b>
2.1	Purpose of the Specification .....	5
2.2	Message Version, Release and Specification Referencing.....	5
2.3	Purpose and Benefits of the Message.....	5
2.3.1	The Standard Message .....	5
2.4	Objectives of Message Transmission .....	6
2.4.1	Business Objectives of Standard SCM Message Transmission .....	6
2.4.2	SCM001 Transmission Sequence .....	7
2.4.3	Technical Objectives .....	7
2.4.4	Message Sequencing .....	8
2.4.5	Accounting Month End.....	8
<b>3</b>	<b>SCM STRUCTURE</b> .....	<b>9</b>
3.1	Principles of Message Construction.....	9
3.2	Message Data Group Structure .....	9
3.3	Standard Message - Data Group Functions and Usage.....	10
<b>4</b>	<b>SEGMENT DESCRIPTIONS AND DATA ELEMENTS</b> .....	<b>12</b>
4.1	CNT : Control Total.....	13
4.2	CUX : Currencies .....	13
4.3	DTM : Date/Time Reference .....	14
4.4	FTX : Free Text .....	14
4.5	NAD : Name & Address .....	14
4.6	PER : Period.....	15
4.7	PIA : Additional Product ID.....	15
4.8	PIN : Proportional Interest .....	16
4.9	RFF : Reference .....	16
4.10	SPx : Separator.....	17
4.11	TRA : Transaction Amounts .....	17
4.12	TXT : Text .....	18
4.13	UNB : Interchange Header .....	18
4.14	UNH : Message Header.....	19
4.15	UNS : Section Control .....	19
4.16	UNT : Message Trailer.....	19
4.17	UNZ : Interchange Trailer .....	20
<b>5</b>	<b>DATA ELEMENTS IN SEGMENT SEQUENCE</b> .....	<b>21</b>
<b>6</b>	<b>DATA ELEMENT DEFINITIONS</b> .....	<b>30</b>
<b>7</b>	<b>DATA ELEMENTS IN QUALIFIER SEQUENCE</b> .....	<b>43</b>
	<b>APPENDIX A – GLOSSARY</b> .....	<b>49</b>
	<b>APPENDIX B – EXAMPLES OF THE SYNDICATE CLAIMS MESSAGE</b> .....	<b>50</b>
	Appendix B – 1. A Null Message - No claims data to advise.....	50

Appendix B – 2. A Null Message At Month End - No claims data to advise .....	50
Appendix B – 3. Example of a Non-Marine Claim .....	51
Appendix B – 4. Example of a Non-Marine Block Claim Settlement .....	54
Appendix B – 5. Example of a Marine Claim.....	57
Appendix B – 6. Example of a Non-Marine Closed Refund .....	59
Appendix B – 7. Example of a Rate of Exchange Revision .....	63
Appendix B – 8. Example of a Converted Euro Claim Settlement with FME Narrative .....	65
<b>APPENDIX C – CONTACTS .....</b>	<b>69</b>
<b>APPENDIX D – SCM VERSION 2.4 STRUCTURE DIAGRAM .....</b>	<b>70</b>
<b>APPENDIX E – BIBLIOGRAPHY .....</b>	<b>72</b>
<b>APPENDIX F – NOTES TO ACCOMPANY DATA ELEMENT DEFINITIONS .....</b>	<b>73</b>
<b>APPENDIX G – SCM AND THE CURRENCY CONVERSION SERVICE.....</b>	<b>77</b>
1. Technical Specification .....	77
2. Data Content Change .....	77
2.1 Bureau Primary Claim Reference (BPR) .....	77
2.2 OCR.....	77
2.3 LCR.....	77
2.4 Currency Key .....	77
2.5 Currency Code (Original) .....	77
2.6 Currency Code (Settlement) .....	77
2.7 Exchange Rate (Outstandings) .....	78
2.8 Exchange Rate (Settlement).....	78
2.9 Paid To Date 100% (Settlement) .....	78
2.10 Current Narrative .....	78
3. Migration from CCS to Settlement in Currency (and the reverse).....	78
3.1 Timing of Cut-over to Settlement in currency .....	78
3.2 SCM Advising after migration to Settlement In Currency .....	78
3.3 Re-denominated Claims .....	78
<b>APPENDIX H – SCM AND EURO CONVERSION OF CLAIMS DECEMBER 2002.....</b>	<b>80</b>
1. Introduction .....	80
2. Claims Converted for Euro .....	80
3. The Claim Conversion Movements in Detail.....	80
3.1 The YA Conversion movement.....	81
3.2 The YB Conversion Movement.....	81
3.4 Euro Currencies to be Converted and ROE with the Euro .....	83
3.5 Advising the Paid To Date Reached in NCU Prior to Transition.....	83
4. Euro Transition and Correction Processing .....	85
4.1 Cancellation.....	85
4.2 Replacement .....	85
<b>APPENDIX I – SCM AND CONVERGENCE .....</b>	<b>86</b>
1. Introduction .....	86
2. Accounting Month End.....	86
2.1 Month End for SCM 2.4.3b Message Users .....	86
2.2 Month End for SCM 2.4.2b Message Users .....	86
3. SCM Policy Narrative & Claim Narrative Implications .....	87
3.1 Policy Narrative.....	87

3.2	Claim Narrative .....	87
3.3	Redundant Fields .....	88
<b>APPENDIX J – OUTSTANDING CLAIM QUALIFIER.....</b>		<b>90</b>
1.	Introduction .....	90
2.	Usage .....	90
3.	Advising.....	90
4.	CLASS Qualifier Entry – Post Implementation .....	90
5.	Advising Post Implementation.....	91
5.1	Codes now invalid on CLASS.....	91
5.2	Date Last Seen .....	91
5.3	<i>Correction of Invalid Codes</i> .....	92
5.4	Code Advising on SCM.....	93
1.1.1	93	
<b>APPENDIX K – Brexit Part VII .....</b>		<b>94</b>
1.	Introduction .....	94
2.	Usage .....	94
3.	Post Implementation.....	94

# 1 RECORD OF AMENDMENTS

SCM Version No.	Date Issued	Amendment Summary
2.2.1	5.6.91	<p>Amendments for Marine Snapshot Messaging</p> <p>Explanation of Message Subdivision</p> <p>Clarification of the term 'processing period'</p> <p>Clarification of release numbering</p> <p>Data element status changes in PIA, PIN, RFF &amp; TRA</p> <p>Further clarification of OCR and other data items</p>
2.3.1	4.10.91	<p>Amendments for Non-marine and Aviation Snapshot Messaging</p> <p>Inclusion of a Segment Code Cross Reference table</p> <p>Clarification between the movements advised and the accounting month</p> <p>Clarification of segment coding during transmission</p> <p>Extension to the retransmission facility</p> <p>Explanation of 'clean restart'</p>
	2.12.92	Claim Types SXL, CXL added.
2.3.2	1.11.93	<p>Additional values for Claim Type Code (ERI, HRI)</p> <p>Duplicate Status (values D, P and S)</p> <p>Clarification of the advising and use of:</p> <ul style="list-style-type: none"> <li>• Bureau Primary Claim Reference as key</li> <li>• Syndicate lines per user group</li> <li>• Original/settlement currency combinations</li> <li>• Accounting Months</li> <li>• Claims Office contracts (Bureau Checker (Adjuster) and (Settlement))</li> <li>• Class Code</li> <li>• Originator's Claim Reference (OCR)</li> <li>• Amendment to Contracts List.</li> </ul>
2.4.1	1.12.93	<p>Change to settlement advising for clean restart.</p> <p>Increase in repeating group limits:</p> <p style="padding-left: 40px;">Maximum no. of LSRs (group 4) reset to 999</p> <p style="padding-left: 40px;">Maximum no. of movements (group 8) reset to 99</p> <p>Additional structure diagram for version 2.4</p> <p>Clarification in use of Level-A character set</p> <p>Corrected examples.</p>
2.4.2	28.10.94	<p>Population of data elements via COSS</p> <p>Standardisation of snapshot messages to type SCM000</p> <p>Unchanging Synd. Line Reference No. (SLN) introduced</p> <p>Duplicate Status and OCR usage updated/clarified.</p> <p>Advising of marine Extended Loss Details (ELD) and Extended Policy Details (EPD) standardised.</p> <ul style="list-style-type: none"> <li>• Examples corrected</li> <li>• Item descriptions clarified</li> <li>• Item names standardised</li> <li>• Mandatory items for a claim advice market (sect. 4)</li> <li>• Segment descriptions updated</li> <li>• Functional Group segments removed (never used)</li> </ul>
2.4.3 with continuing support for 2.4.2	17.11.95	<p>Settlement in any currency</p> <p>Movement generated automatically from a claim settlement entered to the Claims System</p>

SCM Version No.	Date Issued	Amendment Summary
		<p>New Indicators representing</p> <ul style="list-style-type: none"> <li>'Previously Paid'</li> <li>'Loss Reserve Interest'</li> <li>'Advance Payment'</li> </ul> <p>USA Reporting Codes</p> <p>Advising of applicable Message Accounting Month</p> <p>LUNCO Accounting Month no longer advised</p> <p>LACC Accounting Month no longer advised</p>
2.4.3 with continuing support for 2.4.2	5.7.96	<p><b>Amendment to data element definition:</b></p> <ul style="list-style-type: none"> <li>• Leading Underwriter's Estimate Qualifier</li> <li>• FIL Code</li> <li>• Previously Paid Indicator</li> <li>• Advance Payment Indicator</li> <li>• Claim type (removal claim entry qualification)</li> <li>• LOC Indicator (indication population upon COSS enhancement)</li> </ul> <p><b>Additional data elements defined</b> (to be populated in line with COSS enhancement):</p> <ul style="list-style-type: none"> <li>• Month End Date</li> <li>• Broker Pseudonym</li> <li>• Broker Telephone No.</li> <li>• Broker Contact Name</li> <li>• Status Code</li> <li>• OCR Usage Code (as a suffix to OCR)</li> <li>• Country Code</li> <li>• NAIC Code Prefix (as a prefix to NAIC Reinsured Code)</li> <li>• Settled This Time Negative Fee Control Total</li> <li>• Settled This Time Negative Indemnity Control Total</li> </ul> <p>Redefinition of Advice Source (previously "FIL Base Code 2") as FIL Code 2.</p> <p>Addition of Appendix H.</p>
2.4.3 with continuing support for 2.4.2	22.8.96	<p><b>Amendment to data element definition</b></p> <p>Exchange Rate (Settlement)</p> <p>Extended Loss Details</p> <p>Extended Policy Details</p> <p>Paid to Date 100% (I) (SETT)</p> <p><b>Deleted data elements</b></p> <p>Period of Cover in Months</p> <p>Period of Policy in Months</p>
2.4.3 with continuing support for 2.4.2	31.10.00	<p><b>Amendment to data element definition</b></p> <p>Country code</p> <p>State of origin code</p> <p>Trust fund code</p> <p>Appendix H – note 21</p>
2.4.3 with continuing support for 2.4.2	01.01.02	<p><b>Appendices I and L added to explain processing introduced for the euro</b></p> <p>Appendix I – SCM and the Currency Conversion Service</p> <p>Appendix J – SCM and Euro Conversion 22/12/2002</p>
2.4.3b with continuing support for 2.4.2b	01/04/2002	<p><b>Amendments For Convergence</b></p> <ul style="list-style-type: none"> <li>• Record of Amendments to this Specification moved to Section 1</li> <li>• Changes to Sections 1,3,5,6 &amp; 7</li> <li>• Renumbering of Appendices</li> <li>• Message examples in Appendix C refreshed</li> <li>• Amendments to Notes To Data Element Definitions (now Appendix H)</li> <li>• New Appendix K for Convergence describing Changes to Policy &amp; Claims Narrative and Month End Processing.</li> </ul> <p><b>Reason For Amendments:</b></p> <p>Population of existing message data elements previously not populated:</p>

SCM Version No.	Date Issued	Amendment Summary												
		<ul style="list-style-type: none"> <li>• Month End Date</li> <li>• Unique Market Reference</li> <li>• Unique Claim Reference</li> <li>• Block Indicator</li> <li>• Status Code</li> <li>• FIL Code 2</li> <li>• Previously Paid Indicator</li> <li>• Loss Reserve Interest Indicator</li> <li>• Advance Payment Indicator</li> </ul> <p>Amendments to data usage:</p> <ul style="list-style-type: none"> <li>• Status Code</li> <li>• Movement Reference</li> </ul> <p>Changes to remove some of the differences between advising Marine and Non Marine/Aviation) Claim Narrative.</p> <p>The introduction of Null Messages.</p> <p>The introduction of a 'Full Advice' for every claim movement.</p>												
2.4.3b with continuing support for 2.4.2b	1/11/2002	<ul style="list-style-type: none"> <li>• Further amendments For Convergence Phase 1</li> <li>• Section 2.4.1 &amp; 3.3.1 To explain that Full Advices will be advised when the Claim File is seen (known as Date Last Seen)</li> <li>• Section 2.4.3 Clarification on the availability of Closed Claims received in the Snapshot Message</li> <li>• Section 5 Data Elements In Segment Sequence Order - Deleted Redundant Data Elements shown and the amended 'order' of subsequent data elements indicated.</li> </ul>												
2.4.3b with continuing support for 2.4.2b  (Contd.)	1/11/2002	<p>Section 5 Data Elements Definitions – Deleted Data Elements shown, and their descriptions withdrawn. Status Code definition updated.</p> <p>Section 6 Data Elements In Qualifier Sequence Order - Deleted Redundant Data Elements shown and the amended 'order' of subsequent data elements indicated.</p> <p>Appendix C Examples of the SCM – Examples updated to remove redundant data</p> <p>Appendix H – Redundant data element definitions removed. Definition of Movement Reference, Originating Claims Reference and Status Code updated</p> <p>Appendix I SCM And The CCS – Section 3.2 updated.</p> <p>Appendix K SCM &amp; Convergence – 3.1 Policy Narrative and 3.2 Claim Narrative updated with implications. Section 3.3 Detailing Redundant Data Elements added.</p>												
2.4.3c with continuing support for 2.4.2c	25/10/05	<p><b>Amendment to Data Element Function</b></p> <table> <tr> <td>Current Nett Outstanding Qualifier</td> <td>(OSQ)</td> </tr> <tr> <td>Current Nett Outstanding (I) TBA Ind</td> <td>(OSI)</td> </tr> <tr> <td>Current Nett Outstanding (F) TBA Ind</td> <td>(OSF)</td> </tr> <tr> <td>Leading Underwriter's Estimate</td> <td>(LUR)</td> </tr> <tr> <td>Leading Underwriter's Estimate Qualifier</td> <td>(LUR)</td> </tr> <tr> <td>Status Code</td> <td>(SCD)</td> </tr> </table> <p><b>Amendments to Appendices</b></p> <p>Appendix C – Message Examples</p> <p>Appendix H – Note 19 – Redefinition of Status Code</p> <p>Appendix L – Outstanding Claim Qualifier</p>	Current Nett Outstanding Qualifier	(OSQ)	Current Nett Outstanding (I) TBA Ind	(OSI)	Current Nett Outstanding (F) TBA Ind	(OSF)	Leading Underwriter's Estimate	(LUR)	Leading Underwriter's Estimate Qualifier	(LUR)	Status Code	(SCD)
Current Nett Outstanding Qualifier	(OSQ)													
Current Nett Outstanding (I) TBA Ind	(OSI)													
Current Nett Outstanding (F) TBA Ind	(OSF)													
Leading Underwriter's Estimate	(LUR)													
Leading Underwriter's Estimate Qualifier	(LUR)													
Status Code	(SCD)													
2.4.3c with continuing support for 2.4.2c	30/06/15	<p>Updated to include a new value in the Outstanding Qualifier field (OSQ) in respect of Uber precautionary claims</p> <p><b>Amendment to Data Element Function</b></p> <table> <tr> <td>Current Nett Outstanding (I) TBA Ind</td> <td>(OSI)</td> </tr> <tr> <td>Current Nett Outstanding Qualifier</td> <td>(OSQ)</td> </tr> </table>	Current Nett Outstanding (I) TBA Ind	(OSI)	Current Nett Outstanding Qualifier	(OSQ)								
Current Nett Outstanding (I) TBA Ind	(OSI)													
Current Nett Outstanding Qualifier	(OSQ)													



SCM Version No.	Date Issued	Amendment Summary
		Appendix L - Outstanding Claim Qualifier
2.4.3c with continuing support for 2.4.2c	21/10/20	Updated to include new Trust Fund Codes for Brexit Part VII Amendments to Data Element Function Transaction Details (TXD) Trust Fund Code (TFR) <b>Amendments to Appendices</b> Appendix M – Brexit Part VII Also, amendments to replace references to LDEX with XDH.
3.0	30/11/21	Updated after review for message also being sent from the new Prop Treaty application.
3.1	01/12/21	Updated after DXC internal review, references to snapshot messages (no longer supported) removed. Appx B and D removed because Interbridge is no longer supported, appendices renumbered.
3.2	08/12/21	Minor error corrections.

## 2 INTRODUCTION

This version of the technical specification is for use following the Convergence of the London Processing Centre (LPC) and Lloyd's (LPSO) Claims Systems under the management of Xchanging.

The Syndicate Claims Message (SCM) is the means by which Xchanging advises the latest position of outstanding claims to the syndicates (or managing agents or computer bureaux authorised by the syndicates) who are participating in the insurance of the risks.

The SCM is an electronic message of claim advices transmitted via the Xchanging Data Hub (XDH).

### 2.1 Purpose of the Specification

The purpose of this specification is to enable computer systems personnel in the Market to build systems to receive these electronic claim advices. The specification describes the message structure and content.

The document describes each individual data item in detail, and where it can be located in the message; it describes how the data is grouped into segments for advising purposes and how each data group is used. It also states the principles used in message design.

Also included in the specification for 2.4.2c and 2.4.3c are some fields that will not be populated, but which are reserved for possible use in the future. These data items are indicated clearly in chapter 5.

Also, although some settlement information is included in this specification, it only forms part of the information relating to outstanding's. Other settlement information not advised in this version of the SCM is available via the Underwriter's Signing Message (USM).

### 2.2 Message Version, Release and Specification Referencing

An electronic message is defined by its message type, message version and message release numbers. These items are transmitted with every message and they identify the particular processing required by the message recipient to translate the message received.

There is one SCM message type: SCM001 (standard message). Whenever the design of message type changes significantly, the change is given a new Message Version Number; a significant change is one, which has a high degree of impact, for example, a structural change or the insertion of new segments. **This specification relates to SCM Version Number 2.**

Where a minor change is made to the message design, which is of medium or low impact, for example, insertion of a new data item into an existing segment, a new Message ReleaseNumber is allocated for that Message Version. The interchange assembly process allocates this release number.

This specification relates to Version 2, release 4 of the standard SCM001 message, Issue 3c and this document is referenced 'v.2.4.3c' to reflect this. The last two characters of the document version coding refer to the Issue number of a set of changes made to this specification for a particular version/release.

Where the release number changes for a particular version, messages for the new release are sent on or after a particular 'cut-over' date. Messages of the previous release are only available up to that date.

Where the release number changes, messages for the new version are sent to at least one syndicate in advance of the 'cut-over' date, while messages of the previous version continue to be sent to all recipients until that 'cut-over' date.

For recipients using Interbridge software, a new message version requires a new version of the appropriate Interbridge Translation table. A new message release, on the other hand, may not require a re-issue of the table. See section **2.4.4**.

### 2.3 Purpose and Benefits of the Message

#### 2.3.1 The Standard Message

The purpose of the standard SCM is to provide regular, accurate and up-to-date marine, non-marine and aviation claims information to the Market.

When the message is fully implemented it will result in the following benefits to Underwriters:

- a. a standard Underwriter interface enabling an Underwriter to receive daily claims information in a standard format regardless of the originator of the advice,
- b. speedier processing of claims by Underwriters' claims staff because of standard presentation and electronic loading of claims information directly into their computer systems,
- c. a reduction in the quantity of duplicate outstanding and settlement information advised to syndicates,
- d. a reduction in the amount of reconciliation of outstanding's and settlements currently performed by the underwriter in order to invoke the appropriate reinsurance and make provision for adequate reserves in syndicate accounts.
- e. a reduction in the amount of physical storage space required to hold information on the underwriting box,
- f. a reduction in the amount of year end 'chasing' resulting from the daily updating of claims,
- g. a more auditable trail of entries into a syndicate's balance sheet for reserving.
- h. simultaneous advice of outstanding's and payments to all participants on a slip, as a result of co-ordinated transmission of these advices once they have been agreed by the claims office and/or lead underwriter(s).

By realizing these benefits, savings will be achieved in the underwriters' claims offices.

## 2.4 Objectives of Message Transmission

The purpose of this section is to describe the objectives for transacting business via the SCM and the technical objectives used for message construction.

Messages are transmitted from the Claims Office systems to syndicates or their data processing agents (user groups or message recipients). Advices are routed to message recipients by using the year of account for the claim and the syndicate years of account as held on a file of syndicate information maintained by Xchanging.

In the text which follows, the term 'processing period' refers to the time interval between two successive extractions of data from the claims office system. In normal circumstances a processing period covers one working day. However, for operational reasons, more than one database extraction may be necessary resulting in more than one Standard SCM for a processing period. Also, a processing period may combine several working days (e.g. at Year-end). Users will always receive advance notification of such abnormal processing arrangements.

**Where several working days are combined, both days will be given a movement reference, originating claim office claim reference and a date last seen, relating to the first day's date.**

Claims advices in the message are referenced by the Bureau Primary Claims Reference (BPR).

### 2.4.1 Business Objectives of Standard SCM Message Transmission

The standard electronic message reports the following:

- a. all essential information to provide a first advice of a claim,
- b. all monetary movements resulting from changes to the net outstanding amount, including settlements and the final reduction to an outstanding of zero,
- c. all monetary movements resulting from any rate of exchange update,
- d. the latest amendment to any non-monetary information in one processing period
- e. the earliest accounting month for which new movements can be advised, implying that all previous months are closed (2.4.2c and 2.4.3c Users)
- f. the Month End Date that implicitly states that the month whose date is advised is now closed (2.4.3c Users)

The first advice to a message recipient comprises the latest policy, loss, syndicate and transaction details for the claim. As from this Issue of the Message subsequent advices to that recipient will

consist of all data advised previously including those data elements which have changed plus those data elements which might have been newly entered to the claim.

Where the details for a syndicate for whom a recipient is acting have changed, all the syndicate information for that recipient is advised, and replaces the LSR (Lloyd's Syndicate Reference) information previously advised. Any LSR with a zero line indicates that the LSR is to be removed from the claim.

Data elements identified in Chapter 4 as being populated from the Claims System, but which may not be populated for a particular claim entry are advised as spaces (or zeros). Data elements not populated at all *or deleted in this release* are identified in Chapter 5.

All claim entries can only relate to one original/settlement currency combination, i.e., sterling (GBP), US dollar (USD), Canadian dollar (CAD) or a currency which is either an approved settlement currency or is convertible to sterling, and the currency codes are fixed. Where two or more original/settlement currency combinations are involved, each is advised separately under different claims office references.

With the introduction of 2.4.2c and 2.4.3c the use of 'Unique Claims Reference' will in time enable users to link claim entries that have different Claims Office References and different Original / Settlement Currency combinations.

For outstanding claims recorded on the claims office system prior to a user's SCM implementation, all the data recorded for the claim is transmitted in the first SCM advice whenever a change or a new movement to the claim occurs. Thereafter all changes will cause the claim to be advised again in full.

Where a non-monetary change causes the claim to be transmitted for the first time to a recipient, then the last movement recorded will be advised in full. This may be for an earlier month than the accounting month given in the message.

Where the message relates to the first advice of a claim which has had previous settlements against it, then the paid-to-date amounts show the accumulated totals of all settlements to-date including any settlement amounts advised in the message. Previous settlements are not advised individually.

When the Claim is recorded in the Claims System as having had its 'File Seen' without any subsequent action being taken, this causes the last movement on the claim to be advised in full. The data element 'Date Last Seen' is updated to the date that the claim was last evaluated by XCS. These advices are commonly referred to as 'File Seens' or 'Date Last Seens'.

Recovery and refund amounts are shown as negative.

All changes to claims are included in the message to allow syndicates to derive complete claims history.

Closed claims can be identified using the data element Status Code (See Chapter 5).

A null SCM Message is transmitted to a currently registered Message User when there are no claims to advise for a processing period (See Chapter 5, Appendix I and Appendix B for some example null messages).

An audit trail exists for all changes within the claims system and control totals are provided at the end of each transmission.

## **2.4.2 SCM001 Transmission Sequence**

Standard messages are type SCM001 and are produced chronologically. They must be applied to recipient databases in message reference number order.

## **2.4.3 Technical Objectives**

Existing LIMNet standards for individual data elements have been adhered to and, where applicable, new data elements not covered by these standards will be registered. UN/EDIFACT standards for message structure have been used as far as possible and new data fields and message segments will be submitted for inclusion in UN/EDIFACT standards.

The message is transmitted using EBCDIC code assignments, and the message uses the UN/EDIFACT Level A character set for data content. However, a message may contain non-Level A

characters, for example £ (EBCDIC hexadecimal value 5B) and \$ (EBCDIC hexadecimal value 4A) where these exist in the data held on the Claims Office system.

The message supports the principle of "multi- syndicate/one transaction" within user group (data processing agent).

Confidentiality and security of data contained in the message is ensured within the overall mechanisms incorporated in the Xchanging Data Hub (XDH).

Retransmission of messages occurs automatically in the event of a transmission failure over the network. However, should the failure occur between the recipient's mailbox and application, the recipient is alerted to it by non-consecutive message reference numbers. It is then the responsibility of the recipient to request a retransmission of the missed message(s). For SCM001 messages, those created during the 180 most recent message production runs are retained centrally for retransmission purposes.

#### **2.4.4 Message Sequencing**

Messages of the same message type and version are numbered in sequence for each recipient, using the Message Reference Number.

Where the number of claims to advise to one recipient exceeds a predetermined limit (currently 5,000 claims), the claims are subdivided into two or more messages of approximately equal size so that no single message exceeds that limit.

Each message so derived bears the next number in the sequence of message reference numbers.

#### **2.4.5 Accounting Month End**

The Converged Claims System will enable Xchanging Ins-sure Services to ensure that the Claim Accounting Month is closed on the last working day of each month.

More information about this change can be found in Appendix I.

## 3 SCM STRUCTURE

### 3.1 Principles of Message Construction

The structure diagram (Appendix D) provides an overview of the message, showing 'nested' groups of segment types and their occurrences.

Each type of segment is identified by a three-character segment code e.g. RFF. There may be any number of each type of segment in a message design. In the diagram, the Unique Segment Suffix Code (e.g. D) distinguishes one from another and is used to show the particular segment in which a data element is advised (e.g. RFF 'D' is the fourth RFF segment in the message sequence). Below each segment code are a letter and a number to further qualify the nature of the segment. The segment may be M (mandatory) or C (conditional/optional). The number in the bottom right-hand corner indicates the maximum number of occurrences of the segment at this point in the structure.

For example:

The segment below \* shows the segment type RFF which is the fourth (suffix D) in the message structure and which must appear at this point at least once (because the status is mandatory) and may appear twice (an occurrence of 2). Conditional segments are included when required. The segment type and its three-character qualifier uniquely identify each segment in the message transmission.

D	
RFF	
M	2

During construction of the message, the segment type code is merged with the segment suffix code to produce a unique 3-character code, e.g., 'RFF D' becomes 'RFD' during transmission. This is invisible to Interbridge users whose translation software reconverts the 3-character code back to the separate segment type and suffix codes. However, non-Interbridge users receive the contracted coding, i.e. RFD, as the segment code.

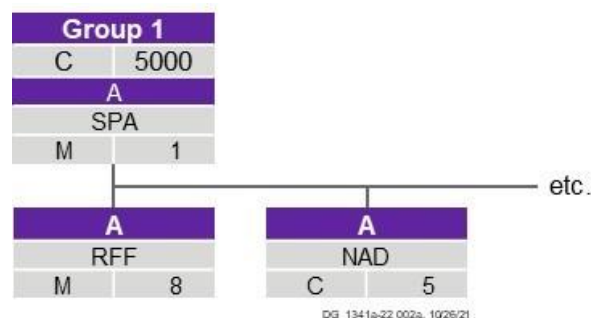
The segments are transmitted in the order listed in Chapter 4, Appendix B and in the structure diagram in Appendix D, proceeding from top to bottom and from left to right.

#### Data Groups

Groups associate most of the segments. The segments being headed by a group rectangle and an entry segment show these. Like segments, mandatory groups are used at least once, whereas all segments in a conditional group may be omitted when none of the segments in the group are needed. The group rectangle has qualifiers, which act in the same manner as the segment qualifiers, and its maximum number of occurrences.

For example:

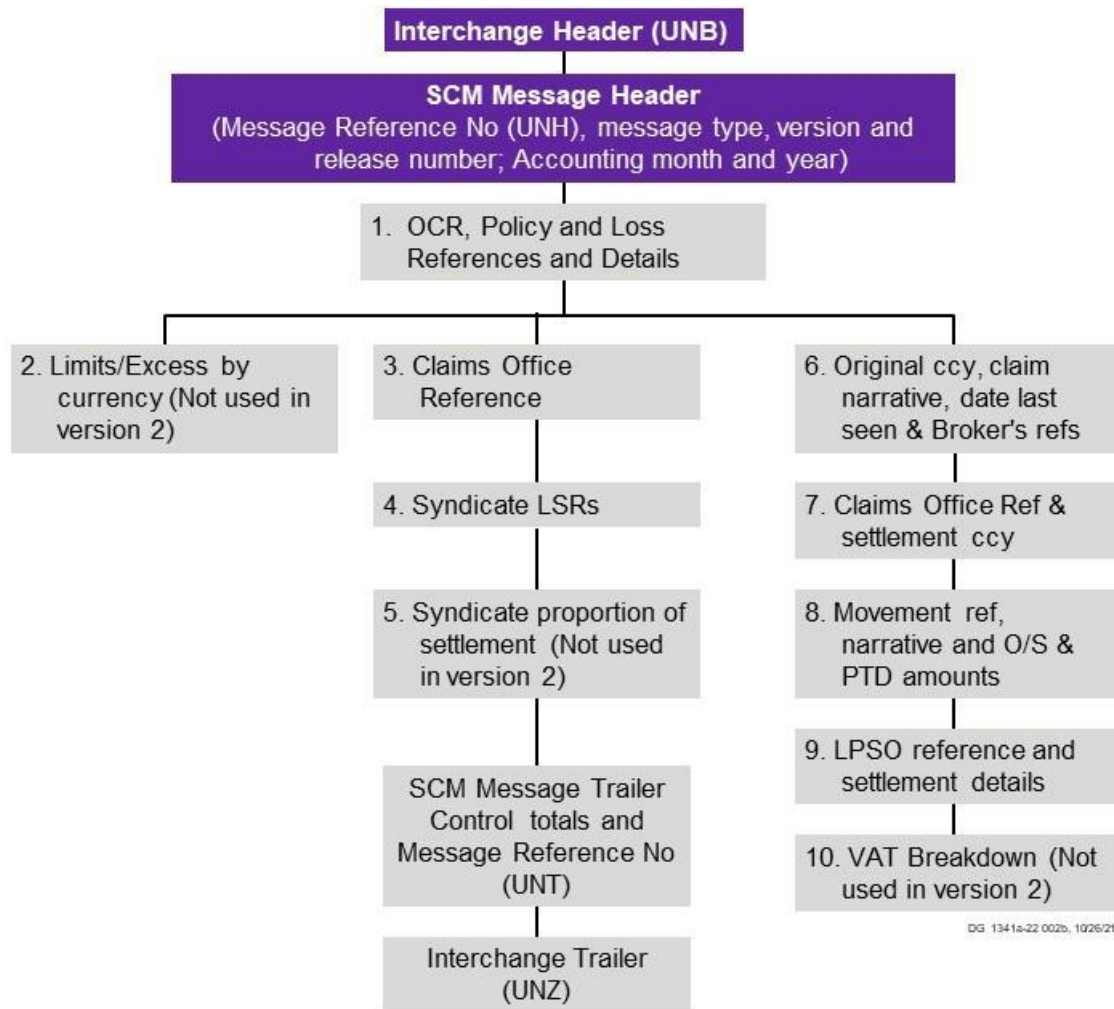
This group may occur up to 5,000 times and since it is conditional, it will only appear if any of the segments within it are populated. If this group is required then segments 'SPA' and 'RFF' must appear within this group because they are mandatory



### 3.2 Message Data Group Structure

The diagram below provides a brief description of the function of each group and shows how the groups relate to each other. There may be many occurrences of a group, which relate to the group or groups shown immediately above it.

A Group will only be present in any particular claim message if there are data in one or more of the segments comprising that group, or the group is required to identify a lower group that contains data.



### 3.3 Standard Message - Data Group Functions and Usage

The Standard Message (SCM) has a message type (type SCM001) and has its own message referencing sequence.

In the SCM full details are provided of each 'first advice' of a claim. In a 'first advice' all mandatory and all conditional data elements that have been entered for the claim, are advised in Data Groups 1 through to 8. Usually a Claim Settlement is not processed with a 'first advice' so Data Group 9 (settlement data) is usually omitted. However, where the first advice also includes Settlement, then data elements in Group 9 will also be advised.

Conditional data items that may not be advised for a particular claim are shown as spaces or zeros according to field type.

All subsequent claim movements will also be advised in full. Described below are the groups, which may be advised for a list of the various types of updates that can be entered.

Some examples of a 'first advice' followed by a subsequent movement may be found in Appendix B.

In the tables shown below an '\*' indicates that the group will be advised for the claim entry, in the stated circumstances.

*SCM Message groups, which may be advised for typical updates that can be entered to the Claims System*

Group numbers:	1	3	4	6	7	8	9
First advice (Usually no Settlement)	*	*	*	*	*	*	
Revised O/S amount (Movement)	*	*	*	*	*	*	
Settlement (Interim or Final)	*	*	*	*	*	*	*

<b>Group numbers:</b>	<b>1</b>	<b>3</b>	<b>4</b>	<b>6</b>	<b>7</b>	<b>8</b>	<b>9</b>
2 movts in one processing period (No Settlement)	*	*	*	*	*	**	
2 movts in one processing period (With Settlements)	*	*	*	*	*	**	**
Market change	*	*	*	*	*	*	
Claim File Seen	*	*	*	*	*	*	

Maximum occurrences of groups of data relating to one claim entry in 1 processing period

<b>Group</b>	<b>Max. No. of occurrences</b>	<b>When present in the message:</b>
1	1	Always present
3	1	Always present
4	999	Always present
6	4	Always present
7	1	Always present
8	99	Always present
9	1	Only present when a new settlement is advised for a Movement.



## 4 SEGMENT DESCRIPTIONS AND DATA ELEMENTS

The SCM is built from segments containing data. A diagram of the structure is given in Appendix D.

This chapter summarises the segments used to construct the SCM, then describes each segment mask and its data elements. Segments are taken from the LIMNet manual issue 1 (LIMNet (1)) where available and additional segments are taken from the EDIFACT Data Segment Directories 88.1 (UN/EDIFACT (88)) and 90.1 (UN/EDIFACT (90)). Usage notes are included where applicable.

Segments are identified in the message transmission by a three-character code specifying the segment type. For non-Interbridge users the character code also specifies the particular occurrence of a segment suffix code. See section 3.1.

The following segments are described in more detail below:

CNT :	Count. To provide a message control total, for audit purposes.
CUX :	Currencies. To specify the currencies applicable to a transaction.
DTM :	Date/Time Reference. To specify a date. Time reference is not used.
FTX :	Free Text. To provide free-form textual information.
NAD :	Name and Address. To identify a specific party.
PER :	Period. To indicate the beginning and ending delimiters of an event.
PIA :	Additional Product Information. To specify up to 5 codes or indicators.
PIN :	Proportional Interest. To specify a percentage.
RFF :	Reference entry or transaction.
SPx :	Separator. To separate different sections of the message (x may be A, B, C or D. See Appendix D: SCM Structure Diagram).
TRA :	Transaction Amounts. To specify up to 5 numeric data items.
TXT :	Text. To provide a line of free-form textual information.
UNB :	Interchange Header. To start, identify and specify an interchange.
UNH :	Message Header. To start, identify and specify a message.
UNS :	Section Control To separate header, detail and summary sections of a message.
UNT :	Message Trailer. To end and check the completeness of a message. (Not passed by Interbridge to the receiving application).
UNZ :	Interchange Trailer. To end and check the completeness of an interchange. (Not passed by Interbridge to the receiving application).

Segments contain data elements. A three-character qualifier identifies each data element. Chapter 5 gives full details of the individual data elements used in each segment.

In the following sections, the following notation is used to indicate the format of each data element:

a2	Fixed length, 2 alphabetic characters
n8	Fixed length, 8 numeric characters
an3	Fixed length, 3 alpha-numeric characters

a..6	Variable length, up to 6 alphabetic characters
n..18	Variable length, up to 18 numeric characters
an..3	Variable length, up to 3 alpha-numeric characters

The status against each data element indicates whether it is mandatory (M) or conditional (C). See section 3.1 for the implications these characterisations have on the data items transmitted in the message.

All dates are expressed as YYYYMMDD, except when specified otherwise. Alpha ('a') and alphanumeric ('an') fields are left aligned with trailing spaces; this includes integer fields. Numeric ('n') fields are right aligned with leading zeros and implied decimal points.

Should you require further information on segment descriptions and data elements please refer to the contact list in Appendix C.

#### 4.1 CNT : Control Total

To provide a message control total, for audit purposes.

UN/EDIFACT (88) segment.

DATA ELEMENT NAME	UN/EDIFACT	STATUS	FORMAT	VALUE
Segment Code				"CNT"
Segment Code Suffix			a2	
CONTROL	C270	M		
Control Qualifier	6069	M	an..3	
Control Value	6066	M	n..15	
Measure Unit Specifier	6410	C	an..3	Not Used

The remaining data elements in this segment are not used in this release of the SCM.

#### 4.2 CUX : Currencies

To specify the currencies applicable to the transaction.

UN/EDIFACT(88) segment.

DATA ELEMENT NAME	UN/EDIFACT	STATUS	FORMAT	VALUE
Segment Code				"CUX"
Segment Code Suffix			a2	
REFERENCE CURRENCY	C180	M		
Currency code	6345	M	a3	
Currency qualifier	6343	M	an..3	
TARGET CURRENCY	C182	C		
Currency code	6345	M	a3	
Currency qualifier	6343	M	an..3	

The remaining data elements in this segment are not used in this release of the SCM.

##### USAGE NOTES

REFERENCE CURRENCY and TARGET CURRENCY are described in the UN/EDIFACT Composite Elements Directory as 'the currency used as reference in a transaction' and 'the currency exchanged to' respectively. In order that this segment can be utilised in the SCM these descriptions will be disregarded. To ensure that this does not cause any confusion, Currency Code qualifiers will always be used, i.e. are mandatory in the SCM.

### 4.3 DTM : Date/Time Reference

To specify a date. LIMNet(1) segment.

DATA ELEMENT NAME	UN/ EDIFACT	STATUS	FORMAT	VALUE
Segment Code				"DTM"
Segment Code Suffix			a2	
Date/Time Qualifier	2005	M	an..3	
Date, Coded	2001	C	n8	
The remaining data elements in this segment are not used in this release of the SCM.				

### 4.4 FTX : Free Text

To provide free-form textual information. LIMNet(1) segment.

DATA ELEMENT NAME	UN/ EDIFACT	STATUS	FORMAT	VALUE
Segment Code				"FTX"
Segment Code Suffix			a2	
Text Subject Code	4451	M	an..3	
Text Function Code	4453	C	an..2	
TEXT REFERENCE	C107	C		Not Used
Free Text Coded	4441	M	an..3	
Code List Identifier	1131	C	an2	
TEXT LITERAL	C108	C		
Free text	4440	M	an..70	
Free text	4440	C	an..70	
Free text	4440	C	an..70	
Free text	4440	C	an..70	
Free text	4440	C	an..70	

Note: The Interbridge translation buffer of 256 bytes cannot accommodate the full FTX segment. Consequently, during Interbridge translation, the FTX segment has to be split into two parts identified by segment codes FTxs1 and FTxs2 where s is the Segment Code Suffix. The fourth line of free text is presented as the first item in the second part, immediately following this Segment Code. Both parts constitute one segment for segment counting purposes.

FTxs2 is not produced by Interbridge Translation if both of its free text elements are space filled.

### 4.5 NAD : Name & Address

To identify a specific party. LIMNet(1) segment.

DATA ELEMENT NAME	UN/ EDIFACT	STATUS	FORMAT	VALUE
Segment Code				"NAD"
Segment Code Suffix			a2	
Party Qualifier	3035	M	an..3	

DATA ELEMENT NAME	UN/ EDIFACT	STATUS	FORMAT	VALUE
PARTY IDENTIFICATION	C082	C		
Party Ident. Code	3039	M	an..17	
Code List Identifier	1131	C	an2	Not Used
NAME & ADDRESS	C058	C		
Name & Address Line	3124	M	an..35	
Name & Address Line	3124	C	an..35	
Name & Address Line	3124	C	an..35	
Name & Address Line	3124	C	an..35	
Name & Address Line	3124	C	an..35	
PARTY NAME	C080	C		
Party Name	3036	M	an..35	
The remaining data elements in this segment are not used in this release of the SCM.				

#### 4.6 PER : Period

To indicate beginning and ending delimiters of an event. Not a UN/Edifact segment.

DATA ELEMENT NAME	UN/ EDIFACT	STATUS	FORMAT	VALUE
Segment Code				"PER"
Segment Code Suffix			a2	
DATE	CL1	C		
Qualifier	L3	M	a3	
Start date	L2	C	n8	
DATE	CL1	C		
Qualifier	L3	M	a3	
End date	L2	C	n8	
PERIOD	CL2	C		
Qualifier	L3	M	a3	
Period	L2	C	n8	

##### Usage Notes

All data elements are conditional, e.g. the end date (with its qualifier) may occur in isolation.  
The format of the date fields is YYYYMMDD.

#### 4.7 PIA : Additional Product ID

To specify up to 5 codes or indicators. UN/EDIFACT(90) segment.

DATA ELEMENT NAME	UN/ EDIFACT	STATUS	FORMAT	VALUE
Segment Code				"PIA"
Segment Code Suffix			a2	
Product Id Function, Coded	4347	M	an1	Space
PRODUCT IDENTIFICATION	C198	M		

DATA ELEMENT NAME	UN/ EDIFACT	STATUS	FORMAT	VALUE
Article Number	7020	C	an..35	
Article Number Identifier	7023	M	an..3	
PRODUCT IDENTIFICATION	C198	C		
Article Number	7020	C	an..35	
Article Number Identifier	7023	M	an..3	
PRODUCT IDENTIFICATION	C198	C		
Article Number	7020	C	an..35	
Article Number Identifier	7023	M	an..3	
PRODUCT IDENTIFICATION	C198	C		
Article Number	7020	C	an..35	
Article Number Identifier	7023	M	an..3	
PRODUCT IDENTIFICATION	C198	C		
Article Number	7020	C	an..35	
Article Number Identifier	7023	M	an..3	

**Usage Notes**

In this release of the SCM, the Article Number is conditional when the composite is advised.

#### 4.8 PIN : Proportional Interest

To specify a percentage. Not a UN/Edifact segment.

DATA ELEMENT NAME	UN/ EDIFACT	STATUS	FORMAT	VALUE
Segment Code				"PIN"
Segment Code Suffix			a2	
Party Qualifier	3035	M	n3	
Share Value	5805	C	n12	

Note: When decimal numbers populate the above fields the decimal point is implied, not sent. Refer to chapter 5 for the appropriate field format.

#### 4.9 RFF : Reference

To specify an identifying reference associated with the named party, claim entry or transaction. LIMNet(1) segment.

DATA ELEMENT NAME	UN/ EDIFACT	STATUS	FORMAT	VALUE
Segment Code				"RFF"
Segment Code Suffix			a2	
Reference Qualifier	1153	M	an..3	
REFERENCE	C274	C		
Reference Number	1154	C	an..35	
Line Number	1156	C	an..6	Not Used

The remaining data elements in this segment are not used in this release of the SCM.

DATA ELEMENT NAME	UN/ EDIFACT	STATUS	FORMAT	VALUE
<u>USAGE NOTES</u>				

In this release of the SCM, the Reference is conditional.

#### 4.10 SPx : Separator

To separate different sections of the message. Not a UN/EDIFACT segment.

DATA ELEMENT NAME	UN/ EDIFACT	STATUS	FORMAT	VALUE
Segment Code				"SPx"
Segment Code Suffix			a2	
Separator	L6	M	a1	
Value of the segment code is SPx, where x = A,B,C or D. (See Appendix D SCM Structure Diagram).				

#### 4.11 TRA : Transaction Amounts

To specify up to 5 numeric data items. Not a UN/EDIFACT segment.

DATA ELEMENT NAME	UN/ EDIFACT	STATUS	FORMAT	VALUE
Segment Code				"TRA"
Segment Code Suffix			a2	
AMOUNT INFORMATION	CL5	M		
Amount qualifier	L3	M	an3	
Monetary amount	5004	C	n15	
Amount specifier	L7	C	an1	
AMOUNT INFORMATION	CL5	C		
Amount qualifier	L3	M	an3	
Monetary amount	5004	C	n15	
Amount specifier	L7	C	an1	
AMOUNT INFORMATION	CL5	C		
Amount qualifier	L3	M	an3	
Monetary amount	5004	C	n15	
Amount specifier	L7	C	an1	
AMOUNT INFORMATION	CL5	C		
Amount qualifier	L3	M	an3	
Monetary amount	5004	C	n15	
Amount specifier	L7	C	an1	
AMOUNT INFORMATION	CL5	C		
Amount qualifier	L3	M	an3	
Monetary amount	5004	C	n15	
Amount specifier	L7	C	an1	
Separator	L6	M	a1	X

Note 1: When decimal numbers populate the above fields the decimal point is implied, not sent. Refer to Chapter 5 for the appropriate field format.

Note 2: The amount specifier (L7) is used to hold the minus sign of any negative monetary amount with which it is associated.

## 4.12 TXT : Text

To provide a line of free-form textual information. UN/Edifact(90) segment, but usage by is non-standard (see below).

DATA ELEMENT NAME	UN/ EDIFACT	STATUS	FORMAT	VALUE
Segment Code				"TXT"
Segment Code Suffix			a2	
Text Reference Code	0077	M	an3	
Text Field	0078	C	an..70	
USAGE NOTES				
The UN/EDIFACT status for the Text Reference Code is conditional, but in the SCM the data element is mandatory.				
The UN/EDIFACT status for the Text Field is mandatory, but in the SCM the data element is conditional.				

## 4.13 UNB : Interchange Header

To start, identify and specify an Interchange. LIMNet(1) segment.

DATA ELEMENT NAME	UN/ EDIFACT	STATUS	FORMAT	VALUE
Segment Code				"UNB"
Segment Code Suffix			a2	
SYNTAX ID	S001	M		
Syntax Identifier	0001	M	a4	"UNOA"
Syntax Version Number	0002	M	n1	"1"
INTERCHANGE SENDER	S002	M		
Sender Id	0004	M	an..35	"LLOYD'S OF LONDON"
Partner Id	0007	C	an..4	
Address for reverse routing	0008	C	an..14	
INTERCHANGE RECIPIENT	S003	M		
Recipient Id	0010	M	an..35	
Partner Id	0007	C	an..4	
Routing Address	0014	C	an..14	
DATE/TIME OF PREPARATION	S004	M		
Date of Preparation	0017	M	n6	*
Time of Preparation	0019	M	n4	*
Interchange Control Reference	0020	M	an..14	*
RECIPIENT PASSWORD	S005	C		Not Used
Recipient Ref/Password	0022	M	an..14	
Recipient/Ref/Pwrd Qual	0025	C	an2	
Application Reference	0026	C	an..14	'SCM001' if "Live" (otherwise any value)

DATA ELEMENT NAME	UN/ EDIFACT	STATUS	FORMAT	VALUE
Priority Code	0029	C	a1	Not Used
Acknowledgement Request	0031	C	n1	Not Used
Communication Agreement Id	0032	C	an..35	Not Used
Test Indicator	0035	C	n1	1 if Test

\* Values added during the Lloyd's interchange assembly process. Note: LSUG Claims Group anticipates London Market preference for the revision of the Date of Preparation to n8 in advance of the "Millennium" change (which cannot be made unilaterally). Pending feasibility checks and agreement, the format remains n6 for the present.

#### 4.14 UNH : Message Header

To head, identify and specify a message. LIMNet(1) segment.

DATA ELEMENT NAME	UN/ EDIFACT	STATUS	FORMAT	VALUE
Segment Code				"UNH"
Segment Code Suffix			a2	
Message Reference Number	0062	M	an..14	
MESSAGE IDENTIFIER	S009	M		
Message Type	0065	M	an..6	
Message Version Number	0052	M	an..3	
Message Release Number	0054	M	an..3	
Controlling Agency	0051	M	an..2	"LL" *
Assoc'n Assigned Code	0057	C	an..6	Not Used

The remaining data elements in this segment are not used in this release of the SCM.

\* Values added during the Lloyd's interchange assembly process.

#### 4.15 UNS : Section Control

To separate header, detail and summary sections of a message. LIMNet(1) segment.

DATA ELEMENT NAME	UN/ EDIFACT	STATUS	FORMAT	VALUE
Segment Code				"UNS"
Segment Code Suffix			a2	
Section Identification	0081	M	a1	

#### 4.16 UNT : Message Trailer

To end and check the completeness of a message. LIMNet(1) segment. (Not passed by Interbridge to the receiving application).

DATA ELEMENT NAME	UN/ EDIFACT	STATUS	FORMAT	VALUE
Segment Code				"UNT"
Segment Code Suffix			a2	
Number of Segments n..6 in the Message	0074	M	n..6	
Message Reference Number	0062	M	an..14	



#### 4.17 UNZ : Interchange Trailer

To end and check the completeness of an interchange. LIMNet(1) segment. (Not passed by Interbridge to the receiving application).

DATA ELEMENT NAME	UN/ EDIFACT	STATUS	FORMAT	VALUE
Segment Code				"UNZ"
Segment Code Suffix			a2	
Interchange Control Count	0036	M	n..6	
Interchange Control Ref.	0020	M	an..14	

## 5 DATA ELEMENTS IN SEGMENT SEQUENCE

This chapter shows the data content of each segment contained within the Syndicate Claims Message. Each segment is discretely identified by the three columns within the Claim Message heading, labelled Segment code, Unique segment suffix and Order, where the Order is the position of the segment, if present, within a repeating group of segments. The Segment code and suffix cross-reference segments in this chapter with the structure diagram in Appendix D.

**Note:** A null message is transmitted when there are no claims to advise in a processing period to a user. In a null message no Group 1 and no subordinate Groups occur. For an example of a null message during and at the end of an Accounting month please see Appendix B.

Version 2.4.3c data elements not available to Version 2.4.2c users are shown in italics.

In the following section, the following notation is used to indicate the format length of each data element.

X	Character, alpha or numeric or a Level A character
XX	2 of any character
X (3)	However many in brackets of any character
v	Implied decimal places
9	Numeric character

The figures in brackets are the number of characters before or after the decimal places.

Examples:

9(13)v99s

means

9 = numeric

(13) = 13 numeric characters before the decimal point

v = decimal place

99 = number, number

s = sign i.e. positive or negative amount (if positive, then no sign is shown)

X(15)

means

X = character

(15) = 15 characters (may contain spaces) long

The data content table follows on the next page.

Data Element	Mandatory Element = (M)	Claims Seg Code	Msg Unique Seg Suffix	Order	UN/EDI Element	Refs Composite	LIMnet tag	Format Length	Qual	UN/EDI QualRef
(M) = Mandatory for a claim advice in the message										
<b>INTERCHANGE HEADER</b>										
Syntax Id	(M)	UNB			0001,02	S001		X(4)9		
Interchange Sender ID	(M)	UNB			0004	S002		X(35)		
Interchange Recipient ID	(M)	UNB			0010	S003		X(35)		
Date/Time of Preparation	(M)	UNB			0017,19	S004		9(6)9(4)		
Interchange Control Ref (B)	(M)	UNB			0020			X(14)		
<b>MESSAGE HEADER</b>										
Message Reference Number (H)	(M)	UNH			0062	S009		9(8)X9(4)X		
Message Type	(M)	UNH		1	0065	S009		X(6)		
Message Version Number	(M)	UNH		1	0052	S009		9(3)		
Message Release Number	(M)	UNH		1	0054			9(3)		
Controlling Agency	(M)	UNH		1	0051			XX		
Accounting Month ( <i>Earliest Open</i> )	(M)	DTM	A	1	2001			9(8)	ACM	2005
<i>Message Accounting Month</i>	(M)	DTM	A	2	2001			9(8)	MAM	2005
<i>Month End Date</i>		DTM	A	3	2001			9(8)	MED	2005
<b>CLAIM ENTRY ADVICE</b>										
<b>GROUP 1</b>										
Separator (A)	(M)	SPA	A	1	L6			X		
Lloyd's Claim Reference (LCR)	(M)	RFF	A	1	1154	C274		9(8)X	LCR	1153
Originating Claim Office Ref	(M)	RFF	A	2	1154	C274		X(12)	OCR	1153
<i>OCR Usage Code suffix</i>		RFF	A	2	1154	C274		X	OCR	1153
Unique Market Reference (UMR)		RFF	A	3	1154	C274	J010	X(17)	UMR	1153
Bureau Original Signing Ref.		RFF	A	4	1154	C274	J007	X(15)	OBR	1153
External Adjuster's Reference		RFF	A	5	1154	C274	J012	X(15)	ADR	1153
<i>Surveyor's Reference Number</i>	<i>Deleted</i>	<i>RFF</i>	<i>A</i>					<i>X(15)</i>	<i>SVR</i>	

Data Element	Mandatory Element = (M)	Claims Seg Code	Msg Unique Seg Suffix	Order	UN/EDI Element	Refs Composite	LIMnet tag	Format Length	Qual	UN/EDI QualRef
Lawyer's Reference		RFF	A	6	1154	C274	J013	X(15)	LAR	1153
Unique Claim Reference (UCR)		RFF	A	7	1154	C274	J016	X(17)	UCR	1153
Lloyd's Leader Identification		NAD	A	1	3039	C082		X(9)	BLL	3035
Broker Number (Current)		NAD	A	2	3039	C082	B002	X(4)	BKR	3035
Broker Pseudonym		NAD	A	2	3124	C058		X(3)	BKR	3035
Broker Telephone Number		NAD	A	2	3124	C058		X(35)	BKR	3035
Broker Contact Name		NAD	A	2	3124	C058		X(35)	BKR	3035
External Adjuster		NAD	A	3	3036	C080	F006	X(20)	EAD	3035
<i>Surveyor</i>	<i>Deleted</i>	<i>NAD</i>	<i>A</i>					<i>X(20)</i>	<i>SUR</i>	
Lawyer		NAD	A	5	3036	C080	F007	X(20)	LAW	3035
Slip Order % 1		PIN	A	1	5805		G003	9(3)v9(7)	SLP	3035
<i>Slip Order % 2</i>	<i>Deleted</i>	<i>PIN</i>	<i>A</i>					<i>9(3)v9(7)</i>	<i>SL2</i>	
<i>Slip Order % 3</i>	<i>Deleted</i>	<i>PIN</i>	<i>A</i>					<i>9(3)v9(7)</i>	<i>SL3</i>	
Bureau Share		PIN	A	2	5805		G002	9(3)v9(7)	BSL	3035
Year Of Account		PIA	A	1	7020	C198	K006	9(4)	YAC	7023
Written/Signed Ind (Risk)		PIA	A	1	7020	C198		X	WSI	7023
Basis of Cover		PIA	A	1	7020	C198		X	PEC	7023
<i>LOC Indicator</i>	<i>Deleted</i>	<i>PIA</i>	<i>A</i>					<i>X</i>	<i>LCI</i>	
Claim Type Code		PIA	A	2	7020	C198	B014	X(3)	CLM	7023
<i>Class Code</i>	<i>Deleted</i>	<i>PIA</i>	<i>A</i>					<i>XX</i>	<i>CCD</i>	
<i>DTI Code</i>	<i>Deleted</i>	<i>PIA</i>	<i>A</i>					<i>XX</i>	<i>DTI</i>	
<i>Category Code</i>	<i>Deleted</i>	<i>PIA</i>	<i>A</i>					<i>X</i>	<i>LNC</i>	
Block Indicator		PIA	A	2	7020	C198		X	BLK	7023
War Indicator		PIA	A	3	7020	C198		X	LWI	7023
<i>Total Loss Indicator</i>	<i>Deleted</i>	<i>PIA</i>	<i>A</i>					<i>X</i>	<i>TLI</i>	
<i>Audit Code (Marine) - Claim</i>	<i>Deleted</i>	<i>PIA</i>	<i>A</i>					<i>XX</i>	<i>AUM</i>	
<i>Audit Code (Non-Marine) - Claim</i>	<i>Deleted</i>	<i>PIA</i>	<i>A</i>					<i>XX</i>	<i>AUN</i>	
<i>Audit Code (Aviation) - Claim</i>	<i>Deleted</i>	<i>PIA</i>	<i>A</i>					<i>XX</i>	<i>AUA</i>	
<i>Duplicate Status</i>	<i>Deleted</i>	<i>PIA</i>	<i>A</i>					<i>X</i>	<i>FL1</i>	

Data Element	Mandatory Element = (M)	Claims Seg Code	Msg Unique Seg Suffix	Order	UN/EDI Element	Refs Composite	LIMnet tag	Format Length	Qual	UN/EDI QualRef
<i>FIL Code 2 (previously Advice Source)</i>		PIA	A	<b>4</b>	7020	C198		X(4)	FL2	7023
FIL Market Code (Claim)		PIA	A	<b>4</b>	7020	C198		XX	FIL	7023
Catastrophe Code		PIA	A	<b>5</b>	7020	C198	J011	X(4)	CAS	7023
Risk Code (Claim)		PIA	A	<b>6</b>	7020	C198	B030	XX	RSK	7023
<i>Market Type Code</i>	<i>Deleted</i>	<i>PIA</i>	<i>A</i>					<i>XX</i>	<i>MTC</i>	
<i>VAT Code</i>	<i>Deleted</i>	<i>PIA</i>	<i>A</i>					<i>X</i>	<i>VCD</i>	
Property Claims Services Code		PIA	A	<b>7</b>	7020	C198	J047	X(4)	PCS	7023
Status Code		PIA	A	<b>8</b>	7020	C198		X(3)	SCD	7023
Period of Policy From Date		PER	A	<b>1</b>	L2	CL1	K001	9(8)	PPF	L3
Period of Policy To Date		PER	A	<b>1</b>	L2	CL1	K002	9(8)	PPT	L3
<i>Period of Policy in Months</i>	<i>Deleted</i>	<i>PER</i>	<i>A</i>					<i>9(3)</i>	<i>PPM</i>	
Period of Cover From Date		PER	A	<b>2</b>	L2	CL1	K016	9(8)	PCF	L3
Period of Cover To Date		PER	A	<b>2</b>	L2	CL1	K017	9(8)	PCT	L3
<i>Period of Cover in Months</i>	<i>Deleted</i>	<i>PER</i>	<i>A</i>					<i>9(3)</i>	<i>PCM</i>	
Loss Date - From		PER	A	<b>3</b>	L2	CL1	K004	9(8)	LOF	L3
Loss Date - To		PER	A	<b>3</b>	L2	CL1	K023	9(8)	LOT	L3
Date Claim Made - From		PER	A	<b>4</b>	L2	CL1	K011	9(8)	CMF	L3
Date Claim Made - To		PER	A	<b>4</b>	L2	CL1	K012	9(8)	CMT	L3
<i>Period of Policy Narrative</i>	<i>Deleted</i>	<i>TXT</i>	<i>A</i>					<i>X(40)</i>	<i>PPN</i>	
<i>Period of Cover Narrative</i>	<i>Deleted</i>	<i>TXT</i>	<i>A</i>					<i>X(40)</i>	<i>PCN</i>	
Loss Date Narrative		TXT	A	<b>1</b>	0078		E015	X(40)	DLN	0077
Vessel/Aircraft/Conveyance		TXT	A	<b>2</b>	0078		E002	X(50)	VAC	0077
Perils/Conditions		TXT	A	<b>3</b>	0078		E007	X(70)	CDT	0077
Interest/Description		TXT	A	<b>4</b>	0078		E006	X(70)	INT	0077
Principal Insured/Coverholder		TXT	A	<b>5</b>	0078			X(50)	INS	0077
Reinsured/Retrocedant		TXT	A	<b>6</b>	0078		F003	X(50)	INR	0077
Limits/Ins Value/Excess		TXT	A	<b>7</b>	0078			X(32)	LIE	0077
<i>CPA Certificate Numbers</i>	<i>Deleted</i>	<i>TXT</i>	<i>A</i>					<i>X(70)</i>	<i>CCN</i>	
<i>Overseas Settling Agent</i>	<i>Deleted</i>	<i>TXT</i>	<i>A</i>					<i>X(40)</i>	<i>OSA</i>	

Data Element	Mandatory Element = (M)	Claims Seg Code	Msg Unique Seg Suffix	Order	UN/EDI Element	Refs Composite	LIMnet tag	Format Length	Qual	UN/EDI QualRef
Date Claim Made Narrative		TXT	A	8	0078			X(40)	CMN	0077
Location/Voyage		TXT	A	9	0078		E004	X(70)	VOY	0077
Loss Location		TXT	A	10	0078		E010	X(50)	LCN	0077
Slip Order Narrative	<i>Deleted</i>	FTX	A					2 X(50)	SON	
Loss Details		FTX	A	1	4440	C108	E018	5 X(70)	LDL	4451
Extended Loss Dets Para Ref		FTX	A	2	4453			XX	ELD	4451
Extended Loss Details		FTX	A	2	4440	C108		5 X(70)	ELD	4451
Extended Policy Dets Para Ref		FTX	A	3	4453			XX	EPD	4451
Extended Policy Details		FTX	A	3	4440	C108		5 X(70)	EPD	4451
<b>GROUP 2 (Not Used In This Version)</b>										
<i>Currency Code (Interest)</i>	<i>Not Used</i>	<i>CUX</i>	<i>A</i>	<i>1</i>	<i>6345</i>	<i>C180</i>		<i>X(3)</i>	<i>ICC</i>	<i>6343</i>
<i>Excess Amount 100%</i>	<i>Not Used</i>	<i>TRA</i>	<i>A</i>	<i>1</i>	<i>5004</i>	<i>CL5</i>	<i>A002</i>	<i>9(15)</i>	<i>EXA</i>	<i>L3</i>
<i>Sum Ins'd/Limit 100%</i>	<i>Not Used</i>	<i>TRA</i>	<i>A</i>	<i>1</i>	<i>5004</i>	<i>CL5</i>	<i>A001</i>	<i>9(15)</i>	<i>ESI</i>	<i>L3</i>
<i>Basis of 100% Excess Amount</i>	<i>Not Used</i>	<i>PIA</i>	<i>B</i>	<i>1</i>	<i>7020</i>	<i>C198</i>		<i>X(3)</i>	<i>BEX</i>	<i>7023</i>
<i>Basis of 100% Limit</i>	<i>Not Used</i>	<i>PIA</i>	<i>B</i>	<i>1</i>	<i>7020</i>	<i>C198</i>	<i>B006</i>	<i>X(3)</i>	<i>BLM</i>	<i>7023</i>
<i>Sum Insured Narrative</i>	<i>Not Used</i>	<i>FTX</i>	<i>B</i>	<i>1</i>	<i>4440</i>	<i>C108</i>	<i>E001</i>	<i>2 X(50)</i>	<i>SIN</i>	<i>4451</i>
<b>GROUP 1</b>										
Separator (B)	(M)	SPB	B	1	L6			X		
<b>GROUP 3</b>										
Bureau Primary Claim Reference		RFF	B	1	1154	C274	J008	X(15)	BPR	1153
<b>GROUP 4</b>										
Comp/Synd Identification		NAD	B	1	3039	C082	B001	X(9)	SYN	3035
Comp/Synd's Risk Reference	<i>Deleted</i>	RFF	C					X(15)	SRR	
Comp/Synd's Claim Reference		RFF	C	2	1154	C274	J025	X(15)	SYC	1153
Synd.Line Reference Number		RFF	C	3	1154	C274		9(3)	SLN	1153
Comp/Synd Line Percentage		PIN	B	1	5805		G001	9(3)v9(7)	CSL	3035

Data Element	Mandatory Element = (M)	Claims Seg Code	Msg Unique Seg Suffix	Order	UN/EDI Element	Refs Composite	LIMnet tag	Format Length	Qual	UN/EDI QualRef
GROUP 5 (Not Used In This Version)	<i>Not Used</i>									
Movement Reference (2)	<i>Not Used</i>	PIA	C	1	7020	C198		XX9999	MOV	7023
Currency Code (Orig) (2)	<i>Not Used</i>	CUX	B	1	6345	C180	B016	X(3)	OCC	6343
Currency Code (Sett) (2)	<i>Not Used</i>	CUX	B	1	6345	C182	B017	X(3)	SCC	6343
Synd.Sett This Time (I) (Sett)	<i>Not Used</i>	TRA	B	1	5004/L7	CL5		9(13)v99s	SST	L3
<b>GROUP 1</b>										
Separator (C)	(M)	SPC	C	1	L6			X		
<b>GROUP 6</b>										
Currency Code (Orig)	(M)	CUX	C	1	6345	C180	B016	X(3)	OCC	6343
Transaction Details		FTX	C	1	4440	C108	E009	5 X(70)	TXD	4451
Date Last Seen by XCS		DTM	B	1	2001			9(8)	DLS	2005
Broker Reference 1 (Claim)		RFF	D	1	1154	C274	J004	X(12)	BR1	1153
Broker Reference 2 (Claim)		RFF	D	2	1154	C274	J005	X(12)	BR2	1153
<b>GROUP 7</b>										
Bureau Primary Claim Ref (2)	(M)	PIA	D	1	7020	C198	J008	X(15)	BPR	7023
Country Code		PIA	D	1	7020	C198	J008	X(2)	CDE	7023
Trust Fund Code		PIA	D	1	7020	C198	J008	X(2)	TRF	7023
FIL Code		PIA	D	1	7020	C198	J008	X(4)	FFL	7023
State of Origin Code		PIA	D	1	7020	C198	J008	X(9)	STA	7023
NAIC Code Prefix )		PIA	D	1	7020	C198	J008	X	NAI	7023
NAIC Reinsured Code )		PIA	D	1	7020	C198	J008	X(11)	NAI	7023
Currency Code (Sett)	(M)	CUX	D	1	6345	C180	B017	X(3)	SCC	6343
<b>GROUP 8</b>										
Currency Key	(M)	RFF	E	1	1154	C274		X	CKY	1153
Movement Reference	(M)	RFF	E	2	1154	C274		XX9999	MOV	1153
Bureau Checker (Adjuster)		NAD	C	1	3039	C082		X(3)	BCA	3035

Data Element	Mandatory Element = (M)	Claims Seg Code	Msg Unique Seg Suffix	Order	UN/EDI Element	Refs Composite	LIMnet tag	Format Length	Qual	UN/EDI QualRef
Current Nett O/S (I) (Orig)		TRA	C	1	5004/L7	CL5		9(13)v99s	OSI	L3
Current Nett O/S (I) TBA Ind		TRA	C	1	L7	CL5		X	OSI	L3
Current Nett O/S (F) (Orig)		TRA	C	1	5004/L7	CL5	A104	9(13)v99s	OSF	L3
Current Nett O/S (F) TBA Ind		TRA	C	1	L7	CL5		X	OSF	L3
<i>LOC Outstanding</i>	<i>Deleted</i>	<i>TRA</i>						<i>9(13)v99s</i>	<i>LCO</i>	
<i>LOC Outstanding Qualifier</i>	<i>Deleted</i>	<i>TRA</i>						<i>X</i>	<i>LCO</i>	
Current Nett O/S Qualifier		TRA	C	1	L7	CL5		X	OSQ	L3
Leading U/Wr's Estimate		TRA	C	1	5004/L7	CL5		9(13)v99s	LUR	L3
Leading U/Wr's Estimate Qualifier		TRA	C	1	L7	CL5		X	LUR	L3
Paid To Date 100% (I) (Sett)		TRA	C	2	5004/L7	CL5		9(13)v99s	PSI	L3
Paid To Date 100% (F) (Sett)	<i>Not Used</i>	TRA	C	2	5004/L7	CL5		9(13)v99s	PSF	L3
Paid To Date 100% (I) (Orig)		TRA	C	3	5004/L7	CL5		9(13)v99s	PDI	L3
Paid To Date 100% (F) (Orig)		TRA	C	3	5004/L7	CL5		9(13)v99s	PDF	L3
Exchange Rate (Outstandings)		TRA	C	4	5004	CL5		9(7)v9(8)	ROE	L3
Highest Estimate		TRA	C	5	5004/L7	CL5		9(13)v99s	HEM	L3
Highest Estimate (Leading U/W)		TRA	C	5	5004/L7	CL5	A015	9(13)v99s	LUH	L3
Current Narrative		FTX	D	1	4440	C108		2 X(50)	CTN	4451
<b>GROUP 9</b>										
Separator (D)		SPD	D	1	L6			X		
Bureau Signing Ref. (Claim)		RFF	F	1	1154	C274	J001	X(15)	BSR	1153
<i>Actual Payment Date</i>	<i>Deleted</i>	<i>DTM</i>	<i>C</i>					<i>9(8)</i>	<i>APD</i>	



Data Element	Mandatory Element = (M)	Claims Seg Code	Msg Unique Seg Suffix	Order	UN/EDI Element	Refs Composite	LIMnet tag	Format Length	Qual	UN/EDI QualRef
Bureau Checker (Settlement)	<i>Deleted</i>	NAD	D					X(3)	BCS	
Accounting Type		PIA	E	1	7020	C198		X	ACT	7023
Small Claim Scheme Indicator	<i>Deleted</i>	PIA	E					X	SML	
<i>Previously Paid Indicator</i>		PIA	E	1	7020	C198		X	PPI	7023
<i>Loss Reserve Interest Indicator</i>		PIA	E	1	7020	C198		X	LRI	7023
<i>Advance Payment Indicator</i>		PIA	E	1	7020	C198		X	API	7023
Settled This Time 100% (I) (Orig)		TRA	D	1	5004/L7	CL5		9(13)v99s	STI	L3
Settled This Time 100% (F)(Orig)		TRA	D	1	5004/L7	CL5		9(13)v99s	STF	L3
Settled This Time 100% (I) (Sett)	<i>Not Used</i>	TRA	D	2	5004/L7	CL5		9(13)v99s	SSI	L3
Settled this Time 100% (F) (Sett)	<i>Not Used</i>	TRA	D	2	5004/L7	CL5		9(13)v99s	SSF	L3
VAT Claim Amount 100% (Orig)	<i>Not Used</i>	TRA	D	3	5004/L7	CL5	A011	9(13)v99s	VCA	L3
Exchange Rate (Settlement)		TRA	D	4	5004	CL5	H001	9(7)v9(8)	RXS	L3
<b>GROUP 10 (Not Used In This Version)</b>										
<i>VAT Rate of Tax</i>	<i>Not Used</i>	<i>PIN</i>	<i>C</i>	<i>1</i>	<i>5805</i>		<i>G010</i>	<i>99v99</i>	<i>VRT</i>	<i>3035</i>
<i>VAT Amount</i>	<i>Not Used</i>	<i>TRA</i>	<i>E</i>	<i>1</i>	<i>5004/L7</i>	<i>CL5</i>	<i>A113</i>	<i>9(13)v99s</i>	<i>VTA</i>	<i>L3</i>
<b>GROUP 1</b>										
Claim Segment Count	(M)	CNT	A	1	6066	C270		9(15)	SEC	6069
<b>MESSAGE TRAILER</b>										
Section Identification	(M)	UNS	A	1	0081			X		
Claim Count (Msg)	(M)	CNT	B	1	6066	C270		9(15)	CLC	6069
Paid To Date (I) Orig (Msg)	(M)	TRA	F	1	5004/L7	CL5		9(13)v99s	PIM	L3

Data Element	Mandatory Element = (M)	Claims Seg Code	Msg Unique Seg Suffix	Order	UN/EDI Element	Refs Composite	LIMnet tag	Format Length	Qual	UN/EDI QualRef
Paid To Date (F) Orig (Msg)	(M)	TRA	F	1	5004/L7	CL5		9(13)v99s	PFM	L3
Settled This Time (I) Orig (Msg)	(M)	TRA	F	1	5004/L7	CL5		9(13)v99s	SIM	L3
Settled This time (F) Orig (Msg)	(M)	TRA	F	1	5004/L7	CL5		9(13)v99s	SFM	L3
Comp/Synd Line Percentage (Msg)	(M)	TRA	F	1	5004	CL5		9(8)v9(7)	SLM	L3
Current Nett O/s (I) Orig (Msg)	(M)	TRA	F	2	5004/L7	CL5		9(13)v99s	OIM	L3
Current Nett O/s (F) Orig (Msg)	(M)	TRA	F	2	5004/L7	CL5		9(13)v99s	OFM	L3
<i>Settled This Time Negative Indemnity (Msg)</i>	(M)	TRA	F	2	5004/L7	CL5		9(13)v99s	SNI	L3
<i>Settled This Time Negative Fee (Msg)</i>	(M)	TRA	F	2	5004/L7	CL5		9(13)v99s	SNF	L3
Number of Segments in Message		UNT		1	0074			9(6)		
Message Reference Number (T)		UNT		1	0062			9(8)X9(4)X		
<b>INTERCHANGE TRAILER</b>										
Interchange Control Count		UNZ			0036			9(6)		
Interchange Control Ref (Z)		UNZ			0020			X(14)		

## 6 DATA ELEMENT DEFINITIONS

DATA ELEMENT	QUALIFIER	NOTE	DESCRIPTION
Accounting Month (Earliest Open)	ACM		The earliest open accounting month for which new movements can be advised. Format is YYYYMM00.
Accounting Type	ACT		Indicates whether a settlement has been automatically processed and that the Settlement amount is guaranteed to match the USM value. Value 'U'= Guaranteed match. When the value is blank = match likely, but not guaranteed.
Advance Payment Indicator	API	Populated For V2.4.3 only	Indicates that funds have been collected from underwriters, but will be held in the account of the third party (e.g. Lloyd's Broker) prior to receipt by the ultimate payee. No attempt will be made to advise underwriters when funds have eventually been passed to the ultimate payee. See Note 1 Appendix F.
<i>Actual Payment Date</i>	<i>APD</i>		<i>Deleted from message</i>
<i>Audit Code (Aviation) - Claim</i>	<i>AUA</i>		<i>Deleted from message</i>
<i>Audit Code (Marine) - Claim</i>	<i>AUM</i>		<i>Deleted from message</i>
<i>Audit Code (Non-Marine) - Claim</i>	<i>AUN</i>		<i>Deleted From message</i>
<i>Basis of 100% Excess Amount</i>	<i>BEX</i>		<i>Not used in this message</i>
<i>Basis of 100% Limit</i>	<i>BLM</i>		<i>Not used in this message</i>
Basis of Cover	PEC		Where a cover/lineslip date is given it qualifies the date. See note 2 Appendix F.
Block Indicator	BLK		Indicator to show whether the claim entry relates to multiple losses/occurrences. See note 3 Appendix F.
Broker Number (Current)	BKR		The numeric code allocated to a broker for identification. Broker responsible for handling the claim at the time of the current transaction. Not necessarily the payee in a settlement transaction. Right aligned with leading zeroes. Validated by the Claims Office against the LPSO file.
Broker Pseudonym	BKR	Populated for V2.4.3 only	Pseudonym for Broker. Present when entered.
Broker Telephone No	BKR	Populated for V2.4.3 only	Telephone Number for Broker. Present when entered.
Broker Contact Name	BKR	Populated for V2.4.3 only	Contact Name for Broker. Present when entered.
Broker Reference 1 (Claim)	BR1		A reference allocated by a broker to a claim. Value may contain non-level-A characters or may be spaces.
Broker Reference 2 (Claim)	BR2		Additional reference allocated by a broker to a claim. Value may contain non-level-A characters.

DATA ELEMENT	QUALIFIER	NOTE	DESCRIPTION
Bureau Checker (Adjuster)	BCA		The unique identifier based on the initials of the claims office adjuster/examiner to identify the 'owning' adjuster/examiner responsible for the claim advice and for advising the settlement transaction.
Bureau Checker (Settlement)	BCS		Deleted from message.
Bureau Original Signing Ref	OBR		Reference allocated to the original LPSO premium or FDO transaction and used to associate subsequent endorsements and claims to the slip or market. Not the reference for the original policy in a reinsurance claim.  Known as Original LPSO Number and Date. Format YYYYMMDDNNNNN, left justified.  Value may be spaces.
Bureau Primary Claim Reference	BPR		The unique reference to identify a claim entry in the Claims Office system, and in the message. Known as the Claims Office Reference.  Format is XRRRRRRRRRRR where: X is the Bureau code, with value A for an Aviation claim entry, N for a Non-Marine claim entry, M for a Marine claim entry, and RRRRRRRRRRR is the reference assigned when the claim entry was first recorded in the claims office system.  Previously known as LACC reference, LUNCO reference, and OMCAS or LUCRO reference. (Always present in the message when Group 3 advised).
Bureau Primary Claim Reference 2	BPR		Same as Bureau Primary Claim Reference. (Always present in the message, in Group 7).
Bureau Share	BSL		Total participation of Lloyd's in a claim, expressed as a percentage. It is the sum of the syndicate percentages. The percentage may exceed 100% if written lines are used. After signing down, it represents the total Lloyd's percentage of the London Market amount.
Bureau Signing Reference (Claim)	BSR		Reference allocated to a settlement transaction. Also known as LPSO Settlement Number and Date and Taking Down Number and Date. Format YYYYMMDDNNNNN left justified.
Catastrophe Code	CAS		A code allocated by the Claims Office to an event which may give rise to many losses, and which identifies all claim entries resulting from that event. Example values: 70AA, 79D, *EPA, *AS2, IFIA. Value may contain non-level-A characters. LIMNet name is Major Casualty/Reltd Event Code.
<i>Category Code</i>	<i>LNC</i>		<i>Deleted from message.</i>
Claim Count (msg)	CLC		The number of claim advices in the message. The number of times group 1 occurs in the message.

DATA ELEMENT	QUALIFIER	NOTE	DESCRIPTION
Claim Segment Count	SEC		The number of segments in groups one to ten inclusive, present in the message for one claim advice.
Claim Type Code	CLM		Code used to classify claim entries by type or class of business. See note 5 Appendix F.
<i>Class Code</i>	<i>CCD</i>		<i>Deleted from message.</i>
Comp/Synd Identification	SYN		The syndicate number of a syndicate associated with the claim entry. Occupies the four left-most characters as a 4-digit number, with leading zeroes.
Comp/Synd Line Percentage	CSL		Company/Syndicate line as a percentage, shown to 7 decimal places. The line may be signed or written, and this is advised via the Written/Signed Ind (Risk). Value is advised as zero for a syndicate line being removed from the claim advice.
Comp/Synd Line	SLM		Hash total of syndicate line percentages, Percentage Msg) for message control purposes.
Comp/Synd's Claim Reference	SYC		The reference of the claim allocated by each syndicate. Normally the same as the syndicate's risk reference as recorded on the Central Accounting system but may have been entered from the slip or signing schedule and can also be entered for a claim as requested by the syndicate. May not be available for a Non-Marine or Aviation claim entry.
<i>Comp/Synd's Syndicate Risk Reference</i>	<i>SRR</i>		<i>Deleted from message</i>
Controlling Agency			Code identifying the agency controlling the specification, maintenance and publication of the Message Type. Value 'LL' for Lloyd's of London.
Country Code	CDE	Populated in V2.4.3 only	A two-character ISO country code prefix that qualifies the country of regulation for the Trust Fund Code, where country is US or CA only.
<i>CPA Certificate</i>	<i>CCN</i>		<i>Deleted from message</i>
<i>Currency Code (Interest)</i>	<i>ICC</i>		<i>Not used in this message</i>
Currency Code (Orig)	OCC		The alpha ISO Code used to identify the original currency in which the estimates paid-to-date and amounts settled-this-time are expressed. (Always present in the message, in Group 6).
<i>Currency Code (Orig) (2)</i>	<i>OCC</i>		<i>Not used in this message</i>
Currency Code (Sett)	SCC		The alpha ISO code used to identify the settlement currency in which the paid to date and amounts settled this time are expressed. (Always present in the message, in Group 7).
<i>Currency Code (Sett) (2)</i>	<i>SCC</i>		<i>Not used in this message</i>
Currency Key	CKY		Code used to specify the anticipated settlement currency. See Note 7 Appendix F. (Always present in the message, in Group 8).
Current Narrative	CTN		Narrative details of the movement being advised.

DATA ELEMENT	QUALIFIER	NOTE	DESCRIPTION
Current Nett O/S (F) (Orig)	OSF		Latest estimate of the 100% nett amount of fee outstanding for the claim entry, in original currency. Amount includes VAT where payable. Not available for a Non-Marine or Aviation claim entry.
Current Nett O/S (F) Orig (Msg)	OFM		Hash total of the current nett outstanding fee amounts in original currency, for message control purposes.
Current Nett O/S (F) TBA Ind	OSF		Where the Current Nett O/S (F) (Orig) is zero, the indicator shows whether the amount is to be advised (Y) or is nil (N). Not available for a Non-Marine or Aviation claim entry.  The 'to be advised' (Y) indicator is no longer used but may be advised on claims entered before the CLASS changes implemented for the new Qualifier Codes (i.e. before SCM 2.4.2c and 2.4.3c were implemented).
Current Nett O/S (I) (Orig)	OSI		Latest estimate of the 100% nett amount of indemnity outstanding for the claim entry, in original currency. Previously known as LUNCO's Recommended Reserve. May include Expenses for all claim types. The amount for a non-marine or aviation claim entry may include Fees.
Current Nett O/S (I) Orig (Msg)	OIM		Hash total of the current nett outstanding indemnity amounts in original currency, for message control purposes.
Current Nett O/S (I) TBA Ind	OSI		Where the Current Nett O/S (I) (Orig) is zero and the indicator is present, it shows whether the amount is to be advised (Y) or is nil (N).  Where the current Nett O/S Qualifier is M, L, A, P or U, the indicator will be advised as 'Y'. Where a claim is closed, or marked as erroneous, the indicator will be 'N'.  For Current Nett O/S Qualifier values no longer used (F, V, Z and E) the indicator will be blank.  It is possible for open claims, created prior to the introduction of the new Qualifier Codes, to have the indicator set to 'N' or 'Y' when the Current Nett O/S Qualifier is blank.
Current Nett O/S Qualifier	OSQ		If present, the qualifier shows whether a recovery is expected (R), claim notified awaiting report (M), circumstance of loss notified (L), awaiting advice from cedent (A), precautionary (P), subrogation (S), erroneous entry not to be reopened (X) or uber precautionary claim (U). Value may be a space.  The following qualifiers are no longer used but may be advised on claims entered before CLASS changes implemented for the new Qualifier Codes (i.e. before SCM 2.4.4c and 2.4.3c were implemented): further fees (F), salvage (V), claim expected (Z) and expenses (E).

DATA ELEMENT	QUALIFIER	NOTE	DESCRIPTION
Date Claim Made – Or From	CMF		The date on which a claim was made, or the first date if a notification covers claims made over a period, e.g. the quarter dates for a block claim. Applicable where Basis of Cover is for 'claims made during'. Value may be advised as zero.
Date Claim Made – Or To	CMT		The last date on which a claim was made when a notification covers claims made over a period. Value may be advised as zero.
Date Claim Made Narrative	CMN		Description of the period when the loss was advised to the Broker. Previously advised for Non Marine & Aviation Claims only. May now be advised for all Markets.
Date Last Seen by XCS	DLS		The date on which the outstanding for the claim entry was last confirmed or the claim file was last seen.
Date/Time of Preparation (actual date, not system date)			Date and time the interchange is created by the Lloyd's interchange assembly process.
<i>DTI Code</i>	<i>DTI</i>		<i>Deleted from message</i>
<i>Duplicate Status</i>	<i>FL1</i>		<i>Deleted from message</i>
<i>Excess Amount 100%</i>	<i>EXA</i>		<i>Not used in this message</i>
Exchange Rate (Outstandings)	ROE		Rate of exchange to be used to convert an outstanding amount from original currency to settlement currency. Value of 1 is advised where the original currency and the settlement currency are the same. Where they differ the outstanding amount in settlement currency equals the outstanding amount in original currency divided by this exchange rate. Implied 8 decimal places.
Exchange Rate (Settlement)	RXS		The rate of exchange that is advised for each particular settlement advised by the Claims System. The rate is used to convert the settlement transaction amount between the original currency and the settlement currency. Value of 1 is advised where the original currency and the settlement currency are the same. Where they differ, the amount in settlement currency equals the amount in original currency divided by this exchange rate. Implied 8 decimal places.
Extended Loss Details	ELD		Narrative relating to the loss provided by the expert, broker or Claims Office and attached to an advice or settlement. Maximum size is 10 pages of 60 lines 'batched' into 120 'paragraphs' of 5 lines each. May now be populated for all Markets.
Extended Loss Dets Para Ref	ELD		Reference allocated to a set of 5 lines of Extended Loss Details. First character indicates the page, second character the 'paragraph' within that page..

DATA ELEMENT	QUALIFIER	NOTE	DESCRIPTION
Extended Policy Details	EPD		<p>Risk/Signing information pertaining to a particular claim entry:</p> <p>Maximum size is 2 pages of 60 lines 'batched' into 24 'paragraphs' of 5 lines each.</p> <p>May also contain Name 1 and 2 which will be prefixed with a qualifier. Qualifiers used will be R/I for Reinsurance, INS for Insured, C/H for Coverholder, O/I for Original Insured, VSL for Vessel. Details entered into the 'Other Name' field will not have a qualifier. May also be advised in the relevant data elements.</p> <p>Previously not populated for Marine claims. Will now be advised for all markets.</p>
Extended Policy Dets Para Ref	EPD		Reference allocated to a set of 5 lines of Extended Policy Details. First character indicates the page, second character the 'paragraph' within that page. See Note 11 Appendix F.
External Adjuster	EAD		<p>The name of the external claims adjuster appointed by the insurers to report upon the claim. See Note 12 Appendix F.</p> <p>For marine claim entries, the expert may be an adjuster, lawyer or surveyor. May be advised for all markets</p>
External Adjuster's Reference	ADR		Reference allocated to the claim by the External Adjuster. Value may be space. May be advised for all markets.
FIL Code	FFL	Populated for V2.4.3 only	This is the 4-character Foreign Insurance Legislation Code, as distinct from the 2-character Market FIL Code.
FIL Code 2	FL2	Populated for V2.4.3 only	A second FIL Code which may be populated.
FIL Market Code (Claim)	FIL		A two-character code identifying the region whose legislation is applicable to the transaction. The code identifies whether the claim is taxable or not.
Highest Estimate	HEM		<p>The highest ever estimate designated as outstanding, in original currency.</p> <p>Previously not populated for Marine Claims. May now be advised for all markets.</p>
Highest Estimate (Leading U/W)	LUH		Leading Underwriter's highest ever estimate of the total claim amount, in original currency. Value may not be available, and so may be advised as zero.
Interchange Control Count			Number of messages in the interchange, for control purposes.
Interchange Control Ref			Reference allocated by the Lloyd's Interchange assembly process for an interchange between the sender and recipient of the message. Used for control purposes. See Note 13 Appendix F.
Interchange Recipient Id			Recipient's name.
Interchange Sender Id			<p>Message sender.</p> <p>Value "LLOYD'S OF LONDON".</p>



DATA ELEMENT	QUALIFIER	NOTE	DESCRIPTION
Interest/Description	INT		Description of an item, or the interest in an Item covered by the insurance. Previously populated for Marine Claims only. May now be advised for all Markets. May be advised in EPD.
DATA ELEMENT	QUALIFIER	NOTE	DESCRIPTION
Lawyer	LAW		The name of the lawyer appointed to advise insurers on a claim. See note 12 appendix F.
Lawyer's Reference	LAR		Reference allocated to the claim by the Lawyer. May be advised for all markets.
<i>Leading U/Wr's Estimate</i>	<i>LUR</i>		<i>Not used</i>
<i>Leading U/Wr's Estimate Qualifier</i>	<i>LUR</i>		<i>Not used</i>
Limits/Ins Value/ Excess	LIE		Brief details of the value of the insured interest/limits of liability and excess which applies to the claim. Value may be spaces. Previously populated for Marine Claims only. May now be advised for all Markets. May also be advised in EPD.
Lloyd's Claim Reference (LCR)	LCR		A mandatory reference used within the SCM generating system to index each loss or claim entry recorded in the Claims Office systems. The last character is a check digit. (Always present in the message, in Group 1).
Lloyd's Leader Identification	BLL		The syndicate number of the leading Lloyd's underwriter as defined by Lloyd's Claims Schemes. Occupies the four left-most characters as a 4-digit number, with leading zeroes.
LOC Indicator	LCI		Deleted from message
LOC Outstanding	LCO		Deleted from message
LOC Outstanding Qualifier	LCO		Deleted from message
Location/Voyage	VOY		For a claim entry, the description of situation of interest or journey/voyage over which interest is insured. Previously populated for Marine Claims only. May now be advised for all Markets.
Loss Date - From	LOF		The date of occurrence of a loss. If a loss occurs over a period, this date will be the first date of the loss. May be YYYY0000, YYYYMM00, YYYYMMDD or all zeroes. Not applicable where Basis of Cover is for 'claims made during'.
Loss Date - To	LOT		The last date of occurrence of a loss if the loss occurs over a period. May be YYYY0000, YYYYMM00, YYYYMMDD or all zeroes.
Loss Date Narrative	DLN		Description of when the loss occurred when not available in a date format.

DATA ELEMENT	QUALIFIER	NOTE	DESCRIPTION
Loss Details	LDL		Previously not populated for Marine Claims. Now advised for all markets. Populated from the first 3 lines of descriptive narrative of loss. Subsequent lines of text are advised in the Extended Loss Details.
Loss Location	LCN		The location of the loss.
Loss Reserve Interest Indicator	LRI	Populated for V2.4.3 only	Indicates that whilst the amount advised is the Loss Reserve amount the corresponding USM amount is a composite of the Loss Reserve Interest and the Loss Reserve amounts. For SCM the Loss Reserve Interest amount is detailed within current narrative. See Note 24 Appendix F.
Market Type Code	MTC		Deleted from message.
Message Accounting Month	MAM	Populated for V2.4.3 only	The Open Accounting Month for which movements are being advised for standard SCM. The format is YYYYMM00.
Message Reference Number			Used together with the Message Type and Message Version Number to identify a particular transmission to a recipient.  Format NNNNNNNNxUUUUy where NNNNNNNN is a sequential number beginning at 1 and increased by 1 for each transmission to that recipient for any given Message Type/Version; where UUUU is the recipient ID; where 'x' represents a space character.
Message Release Number			Table release number within the current Message Version Number and Type, to identify which issue of the message translation table is to be used by recipients to translate the message.
Message Type			Type of message transmitted, e.g. "SCM001". Used together with the Message Version Number and Message Release Number to identify the structure of the message being transmitted.
Message Version Number			Version number within the current Message Type.
Month End Date	MED	Populated for V2.4.3 only	This segment will be advised in the final Standard Message (SCM) for the last processing period of an Accounting Month with the Year and Month of that month (YYYYMM00). For other days in the standard SCM it is advised with a blank date. Where two or more messages are transmitted for the final processing period this data element will be advised in the message with the highest Message Reference (Sequence) Number.  See Note 14 Appendix F.  See Examples 2 and 4 in Appendix B.  See Appendix I for more details
Movement Reference	MOV		Sequential reference allocated to a change to claim details, e.g., a change to the current net outstanding amount. Format XXMMYY. (Always present in the message, in Group 8).  See Note 15 Appendix F.

DATA ELEMENT	QUALIFIER	NOTE	DESCRIPTION
Movement Reference (2)	MOV		Not used
NAIC Code Prefix (NAIC Reinsured Code)	NAI	Populated for V2.4.3 only	This will take the form of a field containing a code of up to eleven characters prefixed by a one character NAIC Code Prefix. The eleven code character will be used by Lloyd's to provide the United States National Association of Insurance Commissioner statistics relating to the movement of money. The prefix and code will only be present on claims where the original currency is US dollars and the Trust Fund Code is RI or R7. Should be populated where the Trust Fund Code is RI or R7. See Note 16 Appendix F.
Number of Segments in Message			The total number of segments in this message, including the message header and trailer segments.
Originating Claim Office Claim Reference	OCR		Always advised in Message Group 1. A reference used to help identify, within the SCM, related claim entries. This is now used solely to link the same claim where it may be potentially advised/settled to some Syndicates via the Currency Conversion Service and to others in the natural Settlement Currency.  See note 17 Appendix F.
<i>OCR Usage Code Suffix</i>	<i>OCR</i>		<i>Not used</i>
<i>Overseas Settling Agent</i>	<i>OSA</i>		<i>Deleted from message</i>
Paid to Date (F) Orig. (Msg)	PFM		Hash total, for control purposes, of all fee amounts in original currency paid-to-date on the claims advised in this message.
Paid to Date (I) Orig. (Msg)	PIM		Hash total, for control purposes, of all the indemnity amounts in original currency paid-to-date on the claims advised on this message.
Paid To Date 100% (F) (Orig)	PDF		Sum of 100% settlement amounts for fees paid-to-date, including any amount currently being settled on the claim, in original currency. Amount includes VAT where payable.
<i>Paid To Date 100% (F) (Sett)</i>	<i>PSF</i>		<i>Not used</i>
Paid To Date 100% (I) (Orig)	PDI		Sum of 100% settlement amounts for indemnity paid-to-date, including any amount currently being settled on the claim, in original currency. The total may include Expenses. For a Non-Marine or Aviation claim, the total may include fees.
Paid To Date 100% (I) (Sett)	PSI		Sum of 100% settlement amounts for indemnity paid-to-date, including any amount currently being settled on the claim, in settlement currency. The total includes fees and/or expenses, where entered, besides indemnity amounts.  As part of claims convergence, the PSI field on the SCM was changed so that it is now advised for all claims, irrespective of the currencies (previously it was advised for convertible claims only).
Perils/Conditions	CDT		Description of the events or perils against which the interest is insured. Previously populated for

DATA ELEMENT	QUALIFIER	NOTE	DESCRIPTION
			Marine Claims only. May now be advised for all Markets. Could also be EPD.
Period of Cover From Date	PCF		The first date of the period of cover to which the premium applies. Value of zero may be advised.
<i>Period of Cover Narrative</i>	<i>PCN</i>		<i>Deleted from message</i>
<i>Period of Cover in Months</i>	<i>PCM</i>		<i>Deleted from message</i>
Period of Cover To Date	PCT		The last date of the period of cover to which the premium applies. Value may be zero.
Period of Policy From Date	PPF		Inception date of period over which a risk is covered. For re-signed long-term risks, it represents the start of the unexpired period of cover. Value may be zero.
<i>Period of Policy in Months</i>	<i>PPM</i>		<i>Deleted from message</i>
<i>Period of Policy Narrative</i>	<i>PPN</i>		<i>Deleted from message</i>
Period of Policy To Date	PPT		Expiry date of period over which a risk is covered. Value may be zero.
Previously Paid Indicator	PPI	Populated for V2.4.3 only	Indicates that a claim settlement is not being 'settled this time' but that an amount has been entered to update the paid-to-date amount'. See Note 18 Appendix F.
Principal Insured/Coverholder	INS		Populated for all claim advices and re-advices from one of four fields in the following hierarchy. If Reinsured is populated then this will be used. If Insured is populated then this will be used. If Coverholder is populated then this will be used. If Original Insured is populated then this will be used. Will also be populated in EPD.
Property Claims Services Code	PCS		Code allocated by Property Claims Services, in repeating range 1 to 99, to indicate a major loss in USA. Prefixed by an alphabetic character to ensure its uniqueness, e.g. A52. Value may be spaces.
<i>Reinsured/ Retrocedant</i>	<i>INR</i>		<i>Not used</i>
Risk Code (Claim)	RSK		A code used to classify risks, written for 1991 year of account onwards, and to classify their associated losses. The code for a claim entry maybe a composite. Supersedes Audit Codes. Value of spaces may be advised for a year of account prior to 1991. Where the year of account is corrected, the value of the code may be advised as spaces.
Section Identification			Indicates start of summary section of message. Possible value is 'S'.
Separator			Used to separate the different sections in the message, and the occurrences of segments in the message that may conflict with each other. Format SPx where x is A, B, C or D. See Appendix D (SCM Structure Diagram) for where



DATA ELEMENT	QUALIFIER	NOTE	DESCRIPTION
			present in the message, in group 1. SPD is always present when Group 9 is advised).
Settled This Time (F) Orig. (Msg)	SFM		Hash total, for control purposes, of all fee amounts settled this time on the claims advised on the message in original currency.
Settled This Time (I) Orig. (Msg)	SIM		Hash total, for control purposes, of all indemnity amounts settled this time on the claims advised on the message in original currency.
Settled This Time 100% (F) (Orig)	STF		100% settlement amount paid or refunded this time against a claim for fees, quoted in original currency. Amount includes VAT where payable.
<i>Settled This Time 100% (F) (Sett)</i>	<i>SSF</i>		<i>Not used</i>
Settled This Time 100% (I) (Orig)	STI		100% settlement amount paid or refunded this time against a claim for indemnity, quoted in original currency. The total may include Expenses.
<i>Settled This Time 100% (I) (Sett)</i>	<i>SSI</i>		<i>Not used</i>
Settled This Time Negative Fee (Msg)	SNF	Populated for V2.4.3 only	Hash total, for control purposes, of negative fee amounts settled this time on the claims advised on the message in original currency.
Settled This Time Negative Indemnity (Msg)	SNI	Populated for V2.4.3 only	Hash total, for control purposes, of negative indemnity amounts settled this time on the claims advised on the message in original currency.
Slip Order % 1	SLP		The percentage representing that proportion of the total sum insured/limits placed on the London Market by the broker, and applied to the 100% amounts. A composite slip order percentage may be advised. Value may be zero. Previously was advised for Marine Claims only. May now also be advised for all Markets. May also be advised in EPD.
<i>Slip Order % 2</i>	<i>SL2</i>		<i>Deleted from message</i>
<i>Slip Order % 3</i>	<i>SL3</i>		<i>Deleted from message</i>
<i>Slip Order Narrative</i>	<i>SON</i>		<i>Deleted from message</i>
<i>Small Claim Scheme Indicator</i>	<i>SML</i>		<i>Deleted from message</i>
State of Origin Code	STA	Populated for V2.4.3 only	The State or Province Code of the transaction, i.e. where the risk originated. It will be present on claims where the original currency is US dollars and the Trust Fund Code is SL or S7. It will be present on Canadian Regulated business (CR) and may be present on Canadian Non-Regulated business (CN/7N).
Status Code	SCD	Populated for V2.4.3 only	Shows whether the claim is open or closed. See Note 19 Appendix F.
<i>Sum Ins'd/Limit 100%</i>	<i>ESI</i>		<i>Not used in this message version</i>
<i>Sum Insured Narrative</i>	<i>SIN</i>		<i>Not used in this message version</i>



DATA ELEMENT	QUALIFIER	NOTE	DESCRIPTION
<i>Surveyor's Reference Number</i>	SVR		<i>Deleted from message</i>
Synd. Line Reference Number	SLN		The number is a unique and unchanging reference given to a syndicate line when the line is first recorded on the claim. It has no relation to the syndicate's position on the risk. It may change as a result of a correction which causes a restore from archive. See Note 20 Appendix F.
<i>Synd. Sett This Time (Sett)</i>	SST		<i>Not used in this message version</i>
Syntax Id			Code identifying the agency controlling the message syntax, the syntax level and the syntax version. Value "UNOA1"
<i>Total Loss Indicator</i>	TLI		<i>Deleted from message</i>
Transaction Details	TXD		Previously used for Marine claim entries with a two line descriptive narrative of the loss. For Marine Claims this Narrative now appears in Loss Details. After the introduction of 2.4.2b and 2.4.3b this data element was used to advise FMT Narrative for US and Canadian claim entries and FME Narrative for Claims converted to euro in December 2001. Post October 2020, the FMT Narrative is also used to advise FMT Narrative for Brexit Part VII claim entries. FMT Narrative comprises Trust Fund Code, FIL Code, State of Origin Code, NAIC Reinsured Code, NAIC Code Prefix, and Country Code. FME Narrative comprises The NCU Original Currency Abbreviation, The Paid To Date Indemnity Amount in Original Currency prior to Euro conversion and the Paid To Date Fee Amount in original Currency prior to conversion.
Trust Fund Code	TRF	Populated for V2.4.3 only	For use for USD/CAD/Brexit Part VII business only. A code that determines which Trust Fund the amount should be accounted in. See Note 21 Appendix F.
Unique Claim Reference (UCR)	UCR		The reference allocated by the originator of the claim (usually a broker) which uniquely identifies a claim submitted to the London Insurance market. The reference may not be available, and may be advised as spaces. See Note 25 Appendix F.
Unique Market Reference (UMR)	UMR		The reference allocated by the originator of the risk (usually a broker) which uniquely identifies a risk submitted to the London Insurance market. The reference may not be available, and may be advised as spaces. See Note 26 Appendix F.
<i>VAT Amount</i>	VTA		<i>Not used in this message</i>
<i>VAT Claim Amount 100% (Orig)</i>	VCA		<i>Not used</i>
<i>VAT Code</i>	VCD		<i>Deleted from message.</i>



DATA ELEMENT	QUALIFIER	NOTE	DESCRIPTION
VAT Rate of Tax	VRT		<i>Not used in this message version</i>
Vessel/Aircraft/ Conveyance (CIm)	VAC		Name of Vessel/Aircraft or description of Conveyance involved in the claim. Previously advised for Marine Claims only. May now be advised for all Markets. May be populated in EPD.
War Indicator	LWI		Indicator to show whether the claim results from an act of war. Previously only advised for Marine Claims. May now be populated for all Markets. See Note 22 Appendix F.
Written/Signed Ind (Risk)	WSI		Indicates whether lines on a risk are written or signed down. See note 23 Appendix F.
Year of Account	YAC		The underwriting year of account for the claim. Year of account defaults to the year of account on the slip as established by LPSO at the time of the signing (where this has occurred); but can be entered manually, when it will not be greater than the current year +1.

## 7 DATA ELEMENTS IN QUALIFIER SEQUENCE

Qualifier	Data Element	Claims Message			UN/Edifact Refs				
		Seq. Code	Unique Seg. Suffix	Order	Element	Composite	LIMnet tag	Format/Length	UN/Edifact Qual ref
ACM	Accounting Month ( <i>Earliest Open</i> )	DTM	A	1	2001			9(8)	2005
ACT	Accounting Type	PIA	E	1	7020	C198		X	7023
ADR	External Adjuster's Reference	RFF	A	5	1154	C274	J012	X(15)	1153
APD	Actual Payment Date	DTM	C	<i>Deleted</i>				X(X)	2005
<i>API</i>	Advance Payment Indicator	<i>PIA</i>	<i>E</i>	1	<i>7020</i>	<i>C198</i>		X	<i>7023</i>
	Audit Code (Aviation) - Claim	PIA	A	<i>Deleted</i>				XX	
	Audit Code (Marine) - Claim	PIA	A	<i>Deleted</i>				XX	
	Audit Code (Non-Marine) - Claim	PIA	A	<i>Deleted</i>				XX	
BCA	Bureau Checker (Adjuster)	NAD	C	1	3039	C082		X(3)	3035
	Bureau Checker (Settlement)	NAD	D	<i>Deleted</i>				X(3)	
BEX	Basis of 100% Excess Amount	PIA	B	<i>Not Used</i>	7020	C198		X(3)	7023
BKR	Broker Number (Current)	NAD	A	2	3039	C082	B002	X(4)	3035
<i>BKR</i>	<i>Broker Pseudonym</i>	NAD	A	2	3124	C058		X(3)	<i>3035</i>
<i>BKR</i>	<i>Broker Telephone No.</i>	NAD	A	2	3124	C058		X(35)	<i>3035</i>
<i>BKR</i>	<i>Broker Contact Name</i>	NAD	A	2	3124	C058		X(35)	<i>3035</i>
BLK	Block Indicator	PIA	A	2	7020	C198		X	7023
BLL	Lloyd's Leader Identification	NAD	A	1	3039	C082		X(9)	3035
BLM	Basis of 100% Limit	PIA	B	<i>Not Used</i>	7020	C198	B006	X(3)	7023
BPR	Bureau Primary Claim Ref (2)	PIA	D	1	7020	C198	J008	X(15)	7023
BPR	Bureau Primary Claim Reference	RFF	B	1	1154	C274	J008	X(15)	1153
BR1	Broker Reference1 (Claim)	RFF	D	1	1154	C274	J004	X(12)	1153
BR2	Broker Reference2 (Claim)	RFF	D	2	1154	C274	J005	X(12)	1153
BSL	Bureau Share	PIN	A	2	5805		G002	9(3)v9(7)	3035
BSR	Bureau Signing Ref.(Claim)	RFF	F	1	1154	C274	J001	X(15)	1153

Qualifier	Data Element	Claims Message			UN/Edifact Refs			LIMnet tag	Format/Length	UN/Edifact Qual ref
		Seq. Code	Unique Seg. Suffix	Order	Element	Composite				
CAS	Catastrophe Code	PIA	A	<b>5</b>	7020	C198	J011	X(4)	7023	
	Class Code	PIA	A	<i>Deleted</i>				XX		
	CPA Certificate Numbers	TXT	A	<i>Deleted</i>				X(70)		
<i>CDE</i>	<i>Country Code</i>	PIA	D	1	7020	C198		X(2)	7023	
CDT	Perils/Conditions	TXT	A	<b>3</b>	0078		E007	X(70)	0077	
CKY	Currency Key	RFF	E	1	1154	C274		X	1153	
CLC	Claim Count (Msg)	CNT	B	1	6066	C270		9(15)	6069	
CLM	Claim Type Code	PIA	A	2	7020	C198	B014	X(3)	7023	
CMF	Date Claim Made - From	PER	A	4	L2	CL1	K011	9(8)	L3	
CMN	Date Claim Made Narrative	TXT	A	<b>8</b>	0078			X(40)	0077	
CMT	Date Claim Made - To	PER	A	4	L2	CL1	K012	9(8)	L3	
CSL	Comp/Synd Line Percentage	PIN	B	1	5805		G001	9(3)v9(7)	3035	
CTN	Current Narrative	FTX	D	1	4440	C108		2X(50)	4451	
DLN	Loss Date Narrative	TXT	A	<b>1</b>	0078		E015	X(40)	0077	
DLS	Date Last Seen by XCS	DTM	B	1	2001			9(8)	2005	
	DTI Code	PIA	A	<i>Deleted</i>				XX		
EAD	External Adjuster	NAD	A	3	3036	C080	F006	X(20)	3035	
ELD	Extended Loss Details	FTX	A	2	4440	C108		5X(70)	4451	
ELD	Extended Loss Dets Para Ref	FTX	A	2	4453			XX	4451	
EPD	Extended Policy Details	FTX	A	3	4440	C108		5X(70)	4451	
EPD	Extended Policy Dets Para Ref	FTX	A	3	4453			XX	4451	
ESI	Sum Ins'd/Limit 100%	TRA	A	<i>Not Used</i>	5004	CL5	A001	9(15)	L3	
EXA	Excess Amount 100%	TRA	A	<i>Not Used</i>	5004	CL5	A002	9(15)	L3	
<i>FFL</i>	<i>FIL Code</i>	PIA	D	1	7020	C198	J008	X(4)	7023	
FIL	Fil Market Code(Claim)	PIA	A	<b>4</b>	7020	C198		XX	7023	
	Duplicate Status	PIA	A	<i>Deleted</i>				X		

Qualifier	Data Element	Claims Message			UN/Edifact Refs			LIMnet tag	Format/Length	UN/Edifact Qual ref
		Seq. Code	Unique Seq. Suffix	Order	Element	Composite				
FL2	FILCode2	PIA	A	4	7020	C198		X(4)	7023	
HEM	Highest Estimate	TRA	C	5	5004/L7	CL5		9(13)v99s	L3	
ICC	Currency Code(Interest)	CUX	A	Not Used	6345	C180		X(3)	6343	
INR	Reinsured/Retrocedant	TXT	A	Not Used	0078		F003	X(50)	0077	
INS	Principal Insured/Coverholder	TXT	A	5	0078			X(25)	0077	
INT	Interest/Description	TXT	A	4	0078		E006	X(70)	0077	
LAR	Lawyer's Reference	RFF	A	6	1154	C274	J013	X(15)	1153	
LAW	Lawyer	NAD	A	5	3036	C080	F007	X(20)	3035	
	LOC Indicator	PIA	A	Deleted				X		
LCN	Loss Location	TXT	A	10	0078		E010	X(50)	0077	
	LOC Outstanding	TRA	C	Deleted				9(13)v99s		
	LOC Outstanding Qualifier	TRA	C	Deleted				X		
LCR	Lloyd's Claim Reference (LCR)	RFF	A	1	1154	C274		9(8)X	1153	
LDL	Loss Details	FTX	A	1	4440	C108	E018	5X(70)	4451	
LIE	Limits/Ins Value/Excess	TXT	A	7	0078			X(32)	0077	
	Category Code	PIA	A	Deleted				X		
LOF	Loss Date – From	PER	A	3	L2	CL1	K004	9(8)	L3	
LOT	Loss Date - To	PER	A	3	L2	CL1	K023	9(8)	L3	
LRI	Loss Reserve Interest Indicator	PIA	E	1	7020	C198		X	7023	
LUH	Highest Estimate (Leading U/W)	TRA	C	5	5004/L7	CL5	A015	9(13)v99s	L3	
LUR	Leading U/Wr's Estimate	TRA	C	Not Used	5004/L7	CL5		9(13)v99s	L3	
LUR	Leading U/Wr's Estimate Qualifier	TRA	C	Not Used	L7	CL5		X	L3	
LWI	War Indicator	PIA	A	3	7020	C198		X	7023	
MAM	Message Accounting Month	DTM	A	2	2001			9(8)	2005	
MED	Month End Date	DTM	A	3	2001			9(8)	2005	
MOV	Movement Reference (2)	PIA	C	Not Used	7020	C198		XX9999	7023	

Qualifier	Data Element	Claims Message			UN/Edifact Refs			LIMnet tag	Format/Length	UN/Edifact Qual ref
		Seq. Code	Unique Seg. Suffix	Order	Element	Composite				
MOV	Movement Reference	RFF	E	2	1154	C274		XX9999	1153	
	Market Type Code	PIA	A	<i>Deleted</i>				XX		
NAI	NAIC Code Prefix )	PIA	D	1	7020	C198	J008	X	7023	
NAI	NAIC Reinsured Code )	PIA	D	1	7020	C198	J008	X(11)	7023	
OBR	Bureau Original Signing Ref.	RFF	A	4	1154	C274	J007	X(15)	1153	
OCC	Currency Code (Orig) (2)	CUX	B	<i>Not Used</i>	6345	C180	B016	X(3)	6343	
OCC	Currency Code (Orig)	CUX	C	1	6345	C180	B016	X(3)	6343	
OCR	Originating Claim Office Ref )	RFF	A	2	1154	C274		X(12)	1153	
OCR	OCR Usage Code Suffix )	RFF	A	<i>Not Used</i>	1154	C274		X	1153	
OFM	Current Nett O/S (F) Orig (Msg)	TRA	F	2	5004/L7	CL5		9(13)v99s	L3	
OIM	Current Nett O/S (I) Orig (Msg)	TRA	F	2	5004/L7	CL5		9(13)v99s	L3	
	Overseas Settling Agent	TXT	A	<i>Deleted</i>				X(40)		
OSF	Current Nett O/S (F) (Orig)	TRA	C	1	5004/L7	CL5	A104	9(13)v99s	L3	
OSF	Current Nett O/S (F) TBA Ind	TRA	C	1	L7	CL5		X	L3	
OSI	Current Nett O/S (I) (Orig)	TRA	C	1	5004/L7	CL5		9(13)V99s	L3	
OSI	Current Nett O/S (I) TBA Ind	TRA	C	1	L7	CL5		X	L3	
OSQ	Current Nett O/S Qualifier	TRA	C	1	L7	CL5		X	L3	
PCF	Period of Cover From Date	PER	A	2	L2	CL1	K016	9(8)	L3	
	Period of Cover in Months	PER	A	<i>Deleted</i>				9(3)		
	Period of Cover Narrative	TXT	A	<i>Deleted</i>				X(40)		
PCS	Property Claims Services Code	PIA	A	<b>7</b>	7020	C198	J047	X(4)	7023	
PCT	Period of Cover To Date	PER	A	2	L2	CL1	K017	9(8)	L3	
PDF	Paid To Date 100% (F) (Orig)	TRA	C	3	5004/L7	CL5		9(13)v99s	L3	
PDI	Paid To Date 100% (I) (Orig)	TRA	C	3	5004/L7	CL5		9(13)v99s	L3	
PEC	Basis of Cover	PIA	A	1	7020	C198		X	7023	
PFM	Paid To Date (F) Orig (Msg)	TRA	F	1	5004/L7	CL5		9(13)v99s	L3	
PIM	Paid To Date (I) Orig (Msg)	TRA	F	1	5004/L7	CL5		9(13)v99s	L3	

Qualifier	Data Element	Claims Message			UN/Edifact Refs			LIMnet tag	Format/Length	UN/Edifact Qual ref
		Seq. Code	Unique Seg. Suffix	Order	Element	Composite				
PPF	Period of Policy From Date	PER	A	1	L2	CL1	K001	9(8)	L3	
<i>PPI</i>	<i>Previously Paid Indicator</i>	<i>PIA</i>	<i>E</i>	<i>1</i>	<i>7020</i>	<i>C198</i>		<i>X</i>	<i>7023</i>	
	Period of Policy in Months	PER	A	<i>Deleted</i>				9(3)		
	Period of Policy Narrative	TXT	A	<i>Deleted</i>				X(40)		
PPT	Period of Policy To Date	PER	A	1	L2	CL1	K002	9(8)	L3	
PSF	Paid To Date 100% (F) (Sett)	TRA	A	<i>Not Used</i>	5004/L7	CL5		9(13)v99s	L3	
PSI	Paid To Date 100% (I) (Sett)	TRA	C	2	5004/L7	CL5		9(13)v99s	L3	
ROE	Exchange Rate (Outstandings)	TRA	C	4	5004	CL5		9(7)v9(8)	L3	
RSK	Risk Code (Claim)	PIA	A	<b>6</b>	7020	C198	B030	XX	7023	
RXS	Exchange Rate (Settlement)	TRA	D	4	5004	CL5	H001	9(7)v9(8)	L3	
SCC	Currency Code (Sett) (2)	CUX	B	<i>Not Used</i>	6345	C182	B017	X(3)	6343	
SCC	Currency Code (Sett)	CUX	D	1	6345	C180	B017	X(3)	6343	
SCD	<i>Status Code</i>	PIA	A	<b>8</b>	7020	C198		X(3)	7023	
SEC	Claim Segment Count	CNT	A	1	6066	C270		9(15)	6069	
SFM	Settled This Time (F) Orig (Msg)	TRA	F	1	5004/L7	CL5		9(13)v99s	L3	
SIM	Settled This Time (I) Orig (Msg)	TRA	F	1	5004/L7	CL5		9(13)v99s	L3	
SIN	Sum Insured Narrative	FTX	B	<i>Not Used</i>	4440	C108	E001	2X(50)	4451	
	Slip Order % 2	PIN	A	<i>Deleted</i>				9(3)v9(7)		
	Slip Order % 3	PIN	A	<i>Deleted</i>				9(3)v9(7)		
SLM	Comp/Synd Line Percentage (Msg)	TRA	F	1	5004	CL5		9(8)v9(7)	L3	
SLN	Synd. Line Reference Number	RFF	C	3	1154	C274		9(3)	1153	
SLP	Slip Order % 1	PIN	A	1	5805		G003	9(3)V9(7)	3035	
	Small Claim Scheme Indicator	PIA	E	<i>Deleted</i>				X		
<i>SNF</i>	<i>Settled This Time Negative Fee (Msg)</i>	<i>TRA</i>	<i>F</i>	<i>2</i>	<i>5004/L7</i>	<i>CL5</i>		<i>9(13)v99s</i>	<i>L3</i>	
<i>SNI</i>	<i>Settled This Time Negative Indemnity (Msg)</i>	<i>TRA</i>	<i>F</i>	<i>2</i>	<i>5004/L7</i>	<i>CL5</i>		<i>9(13)v99s</i>	<i>L3</i>	
	Slip Order Narrative	FTX	A	<i>Deleted</i>				2X(50)		
	Comp/Synd's Risk Reference	RFF	C	<i>Deleted</i>				X(15)		

		Claims Message			UN/Edifact Refs				
		Unique							
Qualifier	Data Element	Seq. Code	Seq. Suffix	Order	Element	Composite	LIMnet tag	Format/Length	UN/Edifact Qual ref
SSF	Settled This Time 100% (F) (Sett)	TRA	D	<i>Not Used</i>	5004/L7	CL5		9(13)v99s	L3
SSI	Settled This Time 100% (I) (Sett)	TRA	D	<i>Not Used</i>	5004/L7	CL5		9(13)v99s	L3
SST	Synd. Sett This Time (I) (Sett)	TRA	B	<i>Not Used</i>	5004/L7	CL5		9(13)v99s	L3
STA	State of Origin Code	PIA	D	1	7020	C198		X(9)	7023
STF	Settled This Time 100% (F) (Orig)	TRA	D	1	5004/L7	CL5		9(13)v99s	L3
STI	Settled This Time 100%(I) (Orig)	TRA	D	1	5004/L7	CL5		9(13)v99s	L3
	Surveyor	NAD	A	<i>Deleted</i>				X(20)	
	Surveyor's Reference	RFF	A	<i>Deleted</i>				X(15)	
SYC	Comp/Synd's Claim Reference	RFF	C	2	1154	C274	J025	X(15)	1153
SYN	Comp/Synd Identification	NAD	B	1	3039	C082	B001	X(9)	3035
	Total Loss Indicator	PIA	A	<i>Deleted</i>				X	
TRF	Trust Fund Code	PIA	D	1	7020	C198	C198	X(2)	7023
TXD	Transaction Details	FTX	C	1	4440	C108	E009	5X(70)	4451
UCR	Unique Claim Reference (UCR)	RFF	A	7	1154	C274	J016	X(17)	1153
UMR	Unique Market Reference (UMR)	RFF	A	3	1154	C274	J010	X(17)	1153
VAC	Vessel/Aircraft/Conveyance	TXT	A	2	0078		E002	X(50)	0077
VCA	VAT Claim Amount 100% (Orig)	TRA	D	<i>Not Used</i>				9(13)v99s	L3
VCD	VAT Code	PIA	A	<i>Deleted</i>				X	
VOY	Location/Voyage	TXT	A	9	0078		E004	X(70)	0077
VRT	VAT Rate of Tax	PIN	C	<i>Not Used</i>	5805		G010	99v99	3035
VTA	VAT Amount	TRA	E	<i>Not Used</i>	5004/L7	CL5	A113	9(13)v99s	L3
WSI	Written/Signed Ind (Risk)	PIA	A	1	7020	C198		X	7023
YAC	Year Account	PIA	A	1	7020	C198	K006	9(4)	7023

## APPENDIX A – GLOSSARY

CONVERGENCE	The union of the Claims Systems operated by London Processing Centre (LPC) and Lloyd's Of London (LPSO) and now under the management of Xchanging Ins-sure Services
COSS	The Lloyd's Claims Office Support System. (The Claims System which preceded LPSO/LPC Convergence)
CPA	Claims Payable Abroad
DTI	Department of Trade and Industry
FIL	Foreign Insurance Legislation
LIMNet	London Insurance Market Network
LIMNet (1)	LIMNet manual issue 1
LOC	Letter of Credit
LPSO	Lloyd's Policy Signing Office (Now Xchanging Ins-Sure Services)
MESSAGE	All the information advised to a recipient in one interchange
SCM	Syndicate Claims Message
SEGMENT	Collection of one or more data elements which is uniquely identified by a segment tag and qualifier
SEGMENT GROUP	Collection of segments which repeat as a unit.
UN/E	Abbreviation for UN/EDIFACT Standard
UN/EDIFACT (88)	EDIFACT Data Segment Directory 88.1
UN/EDIFACT (90)	EDIFACT Data Segment Directory 90.1
XDH	Xchanging Data Hub



## APPENDIX B – EXAMPLES OF THE SYNDICATE CLAIMS MESSAGE

The following are examples of advices that will be received via the SCM Standard Message after Claims System Convergence is implemented.

Please note that the purpose of these examples is to demonstrate principles and not the precise translated/untranslated format in which the message may be received.

To relate these examples to the SCM specification it may be useful to refer to one or more of the following sections of this specification:

- Chapter 5 Data Elements In Segment Sequence
- Chapter 6 Data Element Definitions
- Appendix D SCM Structure Diagram
- Appendix I SCM & Convergence

### Appendix B – 1. A Null Message - No claims data to advise

UNB UN0A1LLOYD'S OF LONDON  
9999RECIPIENT

0200000702 00009999 SCM001

---

UNH 00009999 SCM001 2 4 LL

---

DTMA ACM20060200

---

DTMA MAM20060200

---

DTMA MED

---

UNSA S

---

CNTB CLC0000000000000000

---

TRAF PIM0000000000000000 PFM0000000000000000 SIM0000000000000000  
SFM0000000000000000 SLM0000000000000000

---

TRAF OIM0000000000000000 OFM0000000000000000 SNI0000000000000000  
SNF0000000000000000 0000000000000000

---

UNT 9 00009999

---

UNZ 1 00009999

---

### Appendix B – 2. A Null Message At Month End - No claims data to advise

Should there be no claims to advise on the last processing period of an Accounting Month the following null message will be received.

Following Convergence a Claim Accounting month will close on the final processing period of the Calendar Month.

UNB UN0A1LLOYD'S OF LONDON  
9999RECIPIENT

0200000701 00009999 SCM001

---

UNH 00009999 SCM001 2 4 LL

---

DTMA ACM20060100

---

DTMA MAM20060100

DTMA MED20060100

UNSA S

CNTB CLC0000000000000000

TRAF PIM0000000000000000 PFM0000000000000000 SIM0000000000000000

SFM0000000000000000 SLM0000000000000000

TRAF OIM0000000000000000 OFM0000000000000000 SNI0000000000000000

SNF0000000000000000 0000000000000000

UNT 9 00009999

UNZ 1 00009999

### Appendix B – 3. Example of a Non Marine Claim

This example demonstrates a Non Marine Claim 'first advice'. It shows how a Claim will be received for a multiple movement with a convertible currency.

UNH 00009999 SCM001 2 4 LL

DTMA ACM20060200

DTMA MAM20060200

DTMA MED

SPAA A

RFFA LCR03034076V

RFFA OCRN40003620206

RFFA UMRB099912345789012

RFFA OBR2000030299999

RFFA ADR

RFFA LAR

RFFA UCRB0999888888888888

NADA BLL0999

NADA BKR0999 ZZZ

NADA EAD

VARIOUS

NADA LAW

VARIOUS

PINA SLP001000000000

PINA BSL001000000000

PIAA 2005

YAC

S	WSI
R	PEC
PIAA	CLM
Y	BLK
PIAA N	LWI
PIAA	FL2
AA	FIL
PIAA	CAS
PIAA KG	RSK
PIAA	PCS
O	SCD
PERA PPF00000000PPT00000000	00000000
PERA PCF20050701PCT20060701	00000000
PERA LOF00000000LOT00000000	00000000
PERA CMF00000000CMT00000000	00000000
TXTA DLNVAR.	
TXTA VAC	
TXTA CDT-	
TXTA INT-	
TXTA INSVARIOUS	
TXTA INR	
TXTA LIEAUD 500K	
TXTA CMNVAR.	
TXTA VOY	
TXTA LCN	
FTXA LDL BLOCK FOR ALL LOSSES N/E AUD100,000.	
FTXA ELDAA	
FTXA EPDAAINS VARIOUS	
C/H ABC PTY LIMITED	
SPBB B	
RFFB BPRN40003620206	
NADB SYN0999	
RFFC SYCREFN99999	
RFFC SLN001	

PINB CSL000412500000

SPCC C

CUXC AUDOCC 0000000000000000

FTXC TXD

DTMB DLS20060105

RFFD BR1ABC1234

RFFD BR2CDE5678

PIAE N N40003620206

BPR

CDE

TRF

AAA1

FFL

CUXD GBPSCC 0000000000000000

RFFE CKY4

RFFE MOVAA0206

NADC BCAGD1

TRAC OSI000000003271400 OSF0000000000000000 OSQ0000000000000000

LUR0000000000000000

TRAC PSI0000000000000000 0000000000000000 0000000000000000

0000000000000000 0000000000000000

TRAC PDI0000000000000000 PDF0000000000000000 0000000000000000

0000000000000000 0000000000000000

TRAC ROE000000234000000 0000000000000000 0000000000000000

0000000000000000 0000000000000000

TRAC HEM000000003271400 LUH0000000000000000 0000000000000000

0000000000000000 0000000000000000

FTXD CTN RESERVE IRO SEP 05 BORD.

INITIAL ADVICE

ROE AUD:GBP=

2.340000

RFFE CKY4

RFFE MOVAB0206

NADC BCAGD1

TRAC OSI000000003158900 OSF0000000000000000 OSQ0000000000000000

LUR0000000000000000

TRAC PSI000000000047860 0000000000000000 0000000000000000

0000000000000000 0000000000000000

TRAC PDI000000000112500 PDF0000000000000000 0000000000000000

0000000000000000	0000000000000000	
TRAC ROE000000234000000	0000000000000000	0000000000000000
0000000000000000	0000000000000000	
TRAC HEM000000003271400	LUH0000000000000000	0000000000000000
0000000000000000	0000000000000000	
FTXD CTN SETT IRO SEP 05 BORD.		
*	ROE AUD:GBP=	2.340000
SPPD D		
RFFF BSR2006020520000		
PIAE U		ACT
N		PPI
N		LRI
N		API
TRAD STI000000000112500	STF0000000000000000	0000000000000000
0000000000000000	0000000000000000	
TRAD RXS000000235060000	0000000000000000	0000000000000000
0000000000000000	0000000000000000	
CNTA SEC000000000000076		

### Appendix B – 4. Example of a Non-Marine Block Claim Settlement

This example demonstrates the principle of a 'full advice' for a block claim settlement movement, using the claim in example 3.

UNH 00009999 SCM001 2 4 LL	
DTMA ACM20060200	
DTMA MAM20060200	
DTMA MED	
SPAA A	
RFFA LCR03034076V	
RFFA OCRN40003620206	
RFFA UMRB099912345789012	
RFFA OBR2000030299999	
RFFA ADR	
RFFA LAR	
RFFA UCRB0999888888888888	
NADA BLL0999	
NADA BKR0999	ZZZ

NADA EAD

VARIOUS

NADA LAW

VARIOUS

PINA SLP001000000000

PINA BSL001000000000

PIAA 2005

YAC

S

WSI

R

PEC

PIAA

CLM

Y

BLK

PIAA N

LWI

PIAA

FL2

AA

FIL

PIAA

CAS

PIAA KG

RSK

PIAA

PCS

O

SCD

PERA PPF00000000PPT00000000 00000000

PERA PCF20050701PCT20060701 00000000

PERA LOF00000000LOT00000000 00000000

PERA CMF00000000CMT00000000 00000000

TXTA DLNVAR.

TXTA VAC

TXTA CDT-

TXTA INT-

TXTA INSVARIOUS

TXTA INR

TXTA LIEAUD 500K

TXTA CMNVAR.

TXTA VOY

TXTA LCN

FTXA LDL BLOCK FOR ALL LOSSES N/E AUD100,00.

FTXA ELDAAINS VARIOUS

C/H ABC PTY LIMITED

SPBB B			
RFFB BPRN40003620206			
NADB SYN0999			
RFFC SYCREFN99999			
RFFC SLN001			
PINB CSL000412500000			
SPCC C			
CUXC	AUDOC	0000000000000000	
FTXC TXD			
DTMB DLS20060117			
RFFD BR1AUD-BLOCK			
RFFD BR2			
PIAD	N40003620206		BPR
			CDE
			TRF
	AAA1		FFL
CUXD	GBPSCC	0000000000000000	
RFFE CKY4			
RFFE MOVAC0206			
NADC BCAGD1			
TRAC	OSI000000013939500	OSF0000000000000000	OSQ0000000000000000
	LUR0000000000000000		
TRAC	PSI000000003278698	0000000000000000	0000000000000000
	0000000000000000	0000000000000000	
TRAC	PDI000000007695600	PDF0000000000000000	0000000000000000
	0000000000000000	0000000000000000	
TRAC	ROE000000235300000	0000000000000000	0000000000000000
	0000000000000000	0000000000000000	
TRAC	HEM000000021635100	LUH0000000000000000	0000000000000000
	0000000000000000	0000000000000000	
FTXD	CTN	SETT IRO FEB 05 BORD.	
	*	ROE AUD:GBP=	2.353000
SPDD D			
RFFF BSR2006021720000			

PIAE	U		
	N		PPI
	N		LRI
	N		API
TRAD	STI000000007583100	STF0000000000000000	0000000000000000
	0000000000000000	0000000000000000	
TRAD	RXS000000234710000	0000000000000000	0000000000000000
	0000000000000000	0000000000000000	
CNTA	SEC0000000000000067		

### Appendix B – 5. Example of a Marine Claim

This example demonstrates a Marine Claim 'first advice'. It shows the use of the Claim Status Indicator Codes implemented in version 2.4.3c.

UNH	00009999	SCM001	2 4 LL
DTMA	ACM20060200		
DTMA	MAM20060200		
DTMA	MED		
SPAA	A		
RFFA	LCR03031111V		
RFFA	OCRM060200101		
RFFA	UMRB099912345789012		
RFFA	OBR2005032099999		
RFFA	ADR1111/06		
RFFA	LAR		
RFFA	UCRB0999888888888888		
NADA	BLL0999		
NADA	BKR0999	ZZZ	
		020 7000 7000	
		A. BROKER	
NADA	EAD	A.ADJUSTER	
		ASSOCIATED AS	
NADA	LAW		
PINA	SLP001000000000		
PINA	BSL000166660000		
PIAA	2005		YAC
	S		WSI



			PEC
PIAA	HLL		CLM
	N		BLK
PIAA	N		LWI
PIAA			FL2
	OA		FIL
PIAA			CAS
PIAA	T		RSK
PIAA			PCS
	O		SCD
PERA	PPF20050601PPT20060531	00000000	
PERA	PCF00000000PCT00000000	00000000	
PERA	LOF20060112LOT00000000	00000000	
PERA	CMF00000000CMT00000000	00000000	
TXTA	DLN		
TXTA	VACST HELEN		
TXTA	CDTITC AMENDED EXCL COLL LIABS SECT		
TXTA	INTSECT 1) H/M ETC		
TXTA	INSBROKER COMMERCIAL SERVICES LTD		
TXTA	INR		
TXTA	LIEGBP 8.5M X/S 37.5K		
TXTA	CMN		
TXTA	VOY		
TXTA	LCN		
FTXA	LDL DAMAGE TO SHELL PLATE & INTERNALS DURING A ROUTINE DRY-DOCKING PROCEDURE.		
FTXA	ELDAA		
FTXA	EPDAAABROKER COMMERCIAL SERVICES VSL ST HELEN		
SPBB	B		
RFFB	BPRM0602001011		
NADB	SYN0999		
RFFC	SYCREF9999999999Z		
RFFC	SLN001		

```

PINB CSL000083330000
-----
NADB SYN1111
-----
RFFC SYCREF111111111X
-----
RFFC SLN002
-----
PINB CSL000481250000
-----
SPCC C
-----
CUXC GBPOCC      0000000000000000
-----
FTXC TXD
-----
DTMB DLS20060210
-----
RFFD BR1
-----
RFFD BR2
-----
PIAD  M0602001011          BPR
                               CDE
                               TRF
                               FFL
      XXX1
-----
CUXD GBPSCC      0000000000000000
-----
RFFE CKY1
-----
RFFE MOVAA0206
-----
NADC BCAABC
-----
TRAC OSI0000000000000000YOSF00000000012940 OSQ000000000000000P
      LUR0000000000000000
-----
TRAC PSI0000000000000000      0000000000000000      0000000000000000
      0000000000000000      0000000000000000
-----
TRAC PDI0000000000000000 PDF0000000000000000      0000000000000000
      0000000000000000      0000000000000000
-----
TRAC ROE0000001000000000      0000000000000000      0000000000000000
      0000000000000000      0000000000000000
-----
TRAC HEM000000000129400 LUH0000000000000000      0000000000000000
      0000000000000000      0000000000000000
-----
FTXD CTN FIRST ADVICE IRO FEE SETTLEMENT AGREED
-----
CNTA SEC0000000000000066
-----

```

### Appendix B – 6. Example of a Non-Marine Closed Refund

This example demonstrates the principle of a Non-Marine 'full advice' for Refund that is now Closed.

```

UNH 00009999 SCM001      2      4 LL
-----

```

DTMA	ACM20060200		
DTMA	MAM20060200		
DTMA	MED		
SPAA	A		
RFFA	LCR03029970X		
RFFA	OCRN60010440206		
RFFA	UMRB099912345789012		
RFFA	OBR2001020899999		
RFFA	ADR		
RFFA	LAR1122-33445		
RFFA	UCRB0999888888888888		
NADA	BLL1122		
NADA	BKR0999	ZZZ	
		020 7111 1111	
		A. BROKER	
NADA	EAD		
NADA	LAW		
		LAWYER A	
PINA	SLP0000000000000		
PINA	BSL0010000000000		
PIAA	2000		YAC
	S		WSI
	R		PEC
PIAA			CLM
	N		BLK
PIAA	N		LWI
PIAA			FL2
	5D		FIL
PIAA			CAS
PIAA	PI		RSK
PIAA			PCS
	C		SCD
PERA	PPF19980521PPT20010521	00000000	
PERA	PCF20000301PCT20010228	00000000	

PERA	LOF000000000	LOT000000000	00000000
PERA	CMF20010100	CMT00000000	00000000
TXTA	DLN		
TXTA	VAC		
TXTA	CDT		
TXTA	INT		
TXTA	INSAUTO INS LTD		
TXTA	INR		
TXTA	LIE		
TXTA	CMN		
TXTA	VOY		
TXTA	LCNUSA		
FTXA	LDL	AUTO ACCIDENT	
FTXA	ELDAA		
FTXA	EPDAAINS	AUTO INS LTD	
		C/H BROKER GRP LTD	
		INS AUTO INS LTD	
FTXA	EPDABLMT:USD	30,000,000	
SPBB	B		
RFFB	BPRN60010440206		
NADB	SYN0999		
RFFC	SYCREF999999999Z		
RFFC	SLN001		
PINB	CSL000008260000		
NADB	SYN1111		
RFFC	SYCREF111111111X		
RFFC	SLN002		
PINB	CSL000029320000		
SPCC	C		
CUXC	USDOCC	0000000000000000	
FTXC	TXD	FMT/SL/USL1/MI	/ / /US
DTMB	DLS20060210		
RFFD	BR1AA. B1234567		

RFFD BR2

PIAD	N60010440206	BPR
	US	CDE
	SL	TRF
	USL1	FFL
	MI	STA

CUXD USDSCC 0000000000000000

RFFE CKY6

RFFE MOVBG0206

NADC BCAABC

TRAC OSI0000000000000000NOSF0000000000000000 OSQ0000000000000000  
LUR0000000000000000

TRAC	PSI000000825774080	0000000000000000	0000000000000000
	0000000000000000	0000000000000000	

TRAC	PDI000000779220135	PDF000000046553945	0000000000000000
	0000000000000000	0000000000000000	

TRAC	ROE000000100000000	0000000000000000	0000000000000000
	0000000000000000	0000000000000000	

TRAC	HEM000000825978541	LUH0000000000000000	0000000000000000
	0000000000000000	0000000000000000	

FTXD CTN REFUND IRO INTEREST ACCURED WHILST SETT FUNDS HELD  
FILE NOW CLOSED

SPDD D

RFFF BSR2006021066666

PIAE	U	ACT
	N	PPI
	N	LRI
	N	API

TRAC	STI0000000000000000	STF000000000204461-	0000000000000000
	0000000000000000	0000000000000000	

TRAD	RXS000000100000000	0000000000000000	0000000000000000
	0000000000000000	0000000000000000	

CNTA SEC0000000000000072

## Appendix B – 7. Example of a Rate of Exchange Revision

This example demonstrates a Rate of Exchange revision.

UNH	00009999	SCM001	2	4	LL
DTMA	ACM20060200				
DTMA	MAM20060200				
DTMA	MED				
SPAA	A				
RFFA	LCR02067664V				
RFFA	OCRN40200621004				
RFFA	UMRB099912345789012				
RFFA	OBR2004041399999				
RFFA	ADRNCL08000				
RFFA	LAR				
RFFA	UCRB0999888888888888				
NADA	BLL0999				
NADA	BKR0999	ZZZ			
		0207	999	9999	
		A	PERSON		
NADA	EAD				
		ADJUSTER	A		
NADA	LAW				
		LAWYER	A		
PINA	SLP001000000000				
PINA	BSL000030000000				
PIAA	2003			YAC	
	S			WSI	
				PEC	
PIAA				CLM	
	N			BLK	
PIAA	N			LWI	
PIAA				FL2	
	AJ			FIL	
PIAA				CAS	
PIAA	PD			RSK	
PIAA				PCS	

O	SCD
PERA PPF20031231PPT20041231	00000000
PERA PCF00000000PCT00000000	00000000
PERA LOF20040315LOT00000000	00000000
PERA CMF00000000CMT00000000	00000000
TXTA DLNVARIOUS	
TXTA VAC	
TXTA CDTINDUSTRIAL SPECIAL RISKS	
TXTA INTMAT DMGE	
TXTA INSINS LTD	
TXTA INR	
TXTA LIEAUD 50M	
TXTA CMN	
TXTA VOY	
TXTA LCNUNIVERSITY DRIVE, NSW	
FTXA LDL FIRE DAMAGE TO UNIVERSITY	
FTXA ELDAA	
FTXA EPDAAR/I INS LTD	
O/I ALL EDUCATIONAL & RESEARC	
SPBB B	
RFFB BPR N40200621004	
NADB SYN0999	
RFFC SYCREF9999X	
RFFC SLN001	
PINB CSL000030000000	
SPCC C	
CUXC AUDOCC	0000000000000000
FTXC TXD	
DTMB DLS20051206	
RFFD BR1L123	
RFFD BR2	
PIAD N40200621004	BPR
	CDE
	TRF

AAA2		FFL	
CUXD	GBPSCC	0000000000000000	
RFFE	CKY4		
RFFE	MOVXD1205		
NADC	BCAROE		
TRAC	OSI000000221956000	OSF0000000000000000	OSQ0000000000000000
	LUR0000000000000000		
TRAC	PSI000000067878467	0000000000000000	0000000000000000
	0000000000000000	0000000000000000	
TRAC	PDI000000162968166	PDF0000000000000000	0000000000000000
	0000000000000000	0000000000000000	
TRAC	ROE000000238300000	0000000000000000	0000000000000000
	0000000000000000	0000000000000000	
TRAC	HEM000000384924166	LUH0000000000000000	0000000000000000
	0000000000000000	0000000000000000	
FTXD	CTN	RATE OF EXCHANGE REVISION AT 29/12/2005	
	*	ROE AUD:GBP=	2.383000
CNTA	SEC0000000000000062		

## Appendix B – 8. Example of a Converted Euro Claim Settlement with FME Narrative

This example demonstrates how formatted FME Narrative will be advised on a converted Euro claim. This example shows a Settlement that uses the Currency Conversion Service.

UNH	00009999	SCM001	2	4	LL
DTMA	ACM20060200				
DTMA	MAM20060200				
DTMA	MED				
SPAA	A				
RFFA	LCR02067664V				
RFFA	OCRN40013430627				
RFFA	UMRB099912345789012				
RFFA	OBR1997030499999				
RFFA	ADRVAR				
RFFA	LARVAR				
RFFA	UCRB0999888888888888				
NADA	BLL0999				



NADA BKR0999	ZZZ	
	0155 999 9999	
	A PERSON	
NADA EAD		
	VARIOUS	
NADA LAW		
	VARIOUS	
PINA SLP000000000000		
PINA BSL001000000000		
PIAA 1997		YAC
S		WSI
R		PEC
PIAA		CLM
Y		BLK
PIAA		LWI
PIAA		FL2
FM		FIL
PIAA		CAS
PIAA WA		RSK
PIAA		PCS
O		SCD
PERA PPF00000000PPT00000000	00000000	
PERA PCF19970101PCT19980101	00000000	
PERA LOF00000000LOT00000000	00000000	
PERA CMF00000000CMT00000000	00000000	
TXTA DLNVARIOUS		
TXTA VAC		
TXTA CDTMECHANICAL & ELECTRICAL BREAKDOWN		
TXTA INTFACTORY EQUIPMENT		
TXTA INSSOCIETE DES ASSURANCES		
TXTA INR		
TXTA LIEEUR 750,000 EXCESS EUR 50,000		
TXTA CMNBEORE POLICY RECEIVED		
TXTA VOY		
TXTA LCNVARIOUS FRANCE		

FTXA LDLBLOCK FOR ALL LOSSES

FTXA ELDAA

FTXA EPDAA

SPBB B

RFFB BPR N40013430627

NADB SYN0888

RFFC SYCXXA56559X02X

RFFC SLN001

PINB CSL000290300000

NADB SYN0999

RFFC SYCXX56559X02X

RFFC SLN002

PINB CSL000109700000

SPCC C

CUXC EUROCC 0000000000000000

FTXC TXD FME/OCC/FRF/PTDI/0000004753258.29+/PTDF/0000000009219.50+/  
DTMB DLS20020217

DTMB DLS20020217

RFFD BR110103006

RFFD BR2

PIAD N4001343067

BPR

CDE

TRF

FRM1

FFL

CUXD GBPSCC 0000000000000000

RFFE CKY4

RFFE MOV10202

NADC BCAM-M

TRAC OSI0000000000000000YOSF0000000000000000 OSQ0000000000000000

LUR0000000000000000

TRAC PSI000000048672677 0000000000000000 0000000000000000

0000000000000000 0000000000000000

TRAC PDI000000000075065 PDF0000000000000000 0000000000000000

0000000000000000 0000000000000000

TRAC ROE000000159000000 0000000000000000 0000000000000000

0000000000000000	0000000000000000		
TRAC HEM000000079021589	LUH0000000000000000	0000000000000000	
0000000000000000	0000000000000000		
FTXD CTN SETT IRO NOV & DEC BORD 2001			
*	ROE EUR:GBP=	1.630000	
SPDD D			
RFFF BSR2002021899999			
PIAE U		ACT	
N		PPI	
N		LRI	
N		API	
TRAD STI000000000035774	0000000000000000	0000000000000000	
0000000000000000	0000000000000000		
TRAD RXS000000164120000	0000000000000000	0000000000000000	
0000000000000000	0000000000000000		
CNTA SEC0000000000000071			

## **APPENDIX C – CONTACTS**

### **MESSAGING TEAM:**

TELEPHONE NUMBER: +44 2036046743

EMAIL: XISProductionITMsg@dxc.com

### **DXC SERVICE DESK:**

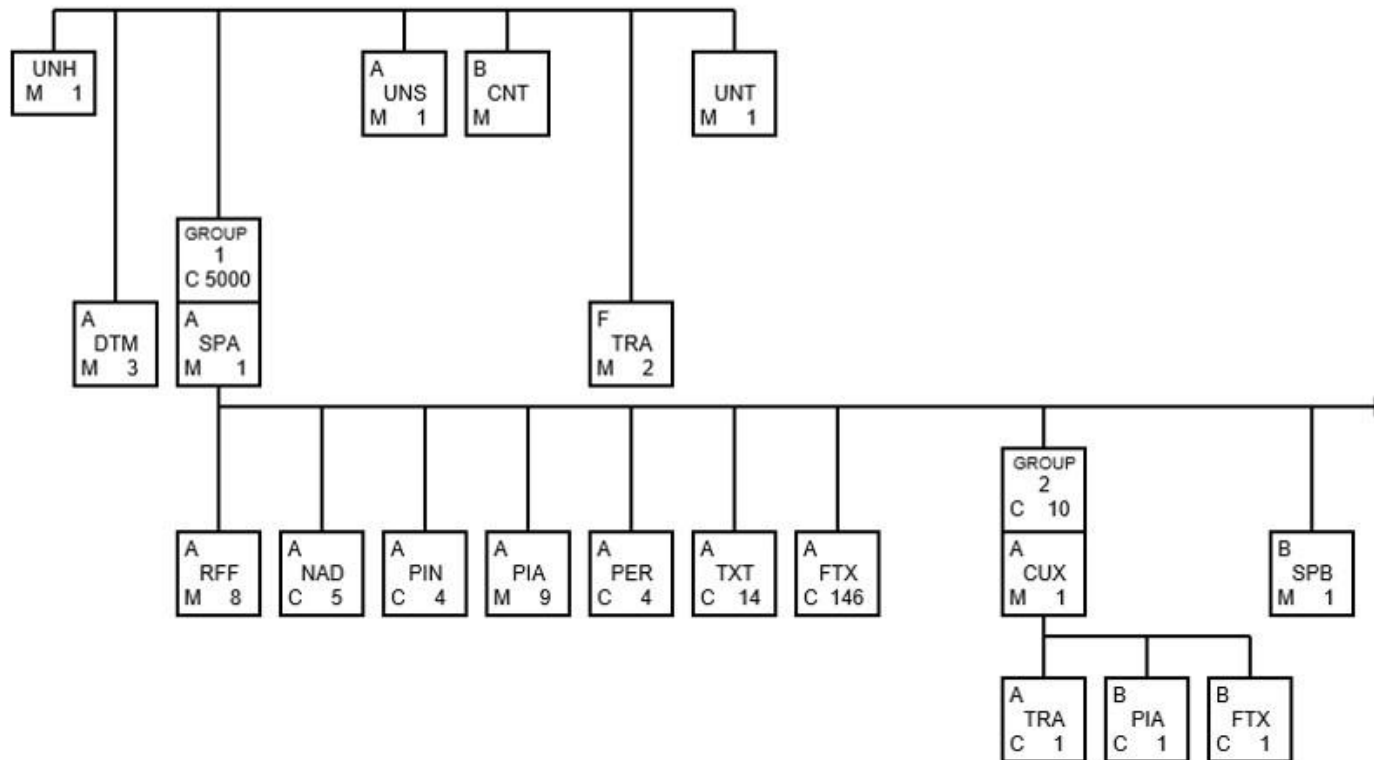
TELEPHONE NUMBER: 0870 380 0830

EMAIL: service.centre@dxc.com

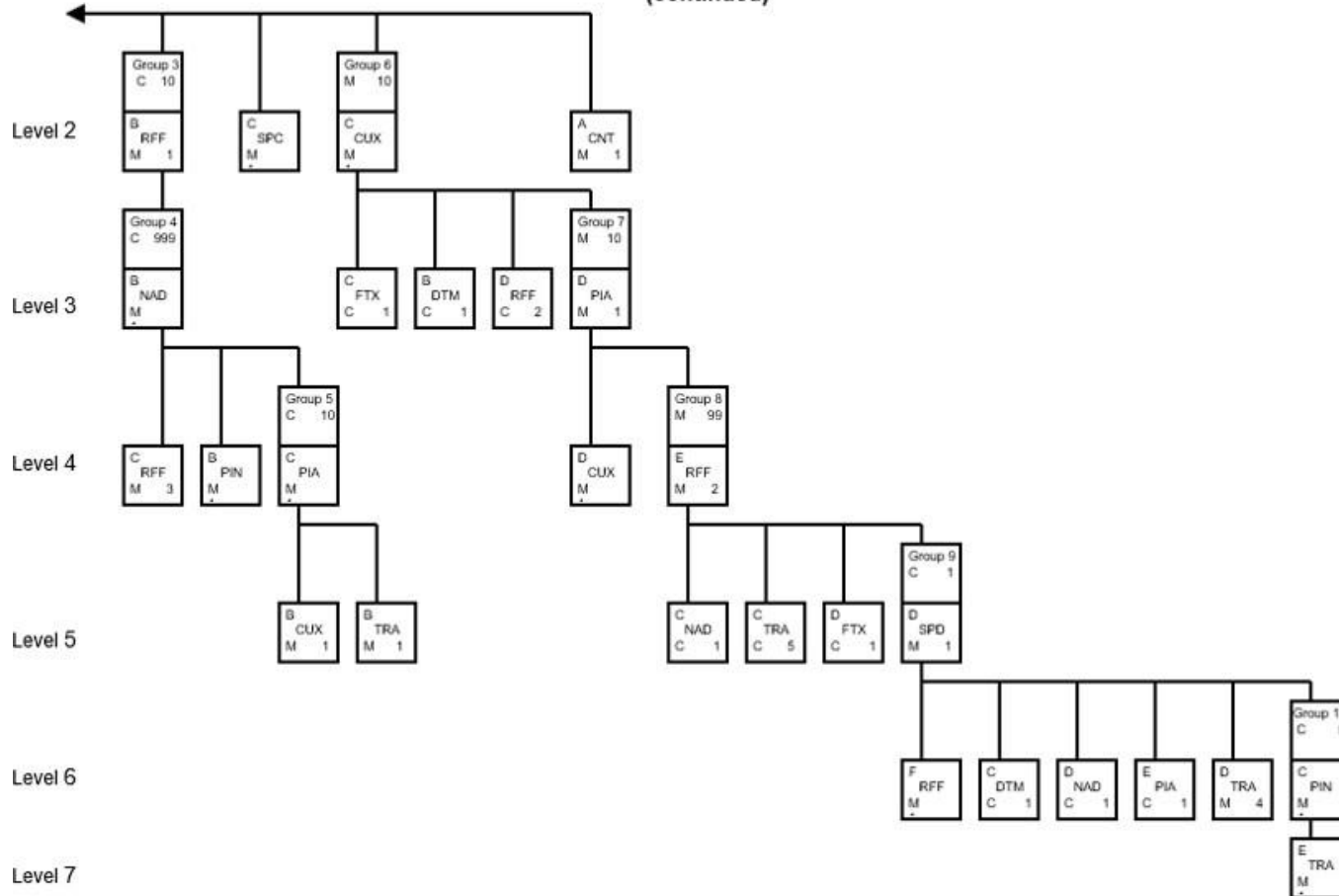
## APPENDIX D – SCM VERSION 2.4 STRUCTURE DIAGRAM

For the standard message.

**SCM Version 2.4  
STRUCTURE DIAGRAM**  
SCM001, for standard messages  
(excluding the interchange header and trailer)



**SCM Version 2.4  
STRUCTURE DIAGRAM  
SCM001, for standard messages  
(continued)**



## APPENDIX E – BIBLIOGRAPHY

UN/EDIFACT Message Design Guidelines.

Copies from: United Nations Economic Commission For Europe

---

Information Office
Palais Des Nations
CH-1211 Geneva 10
Switzerland
WWW.UNECE.ORG

---

EDIFACT Application Level Syntax Rules.

Copies from: United Nations Economic and Social Council

---

Information Office
Palais Des Nations
CH-1211 Geneva 10
Switzerland
WW.UNECE.ORG

---

## APPENDIX F – NOTES TO ACCOMPANY DATA ELEMENT DEFINITIONS

### Note 1

Values for Advance Payment Indicator are 'Y' (not yet recoverable) or 'N' (recoverable).

### Note 2

Values for Basis of Cover is one of:

---

C (Claims made during),

---

L (Losses occurring during),

---

P (Portfolio transfer)

---

R (Risk attaching during).

---

Where no date is given, the value is either:

---

T (T.B.A.)

---

V (Various dates).

---

Value of space may be advised if no cover period applies.

---

### Note 3

Value for Block Indicator is 'Y', 'N' or Space.

### Note 4

This note was for Data Element Category Code, which has now been deleted from the message.

### Note 5

Values for Claim Type Code is one of:

---

CGO – Cargo

---

CPA – Claims paid abroad

---

CXL – Company Excess of Loss

---

ERI – Energy Reinsurance

---

G/A – General Average

---

HLL – Hull

---

HRI – Hull Reinsurance

---

LBY – Liability

---

LOE – Loss of Earnings

---

LOH – Loss of Hire

---

MII – Mortgagees Interest Insurance

---

OIL – Oil

---

R/I – Reinsurance

---

SXL – Syndicate Excess of Loss

---

TTY – Marine Treaty

---

X/L – Excess of Loss

---

As at June 1996 these codes have yet to be expanded to non-marine and aviation business.

### Note 6

This note was for the Data Element Class Code, which has been deleted from the message.

### Note 7

Value for currency Key is: 1 or 2 (= GBP), 3 or 4 (= OCC or convertible £), 5 or 6 (= USD), or 7 or 8 (= CAD).



**Note 8**

This note was for Data Element DTI Code, which has been deleted from the message

**Note 9**

This note was for Data Element Duplicate Status, which has been deleted from the message

**Note 10**

Values for Extended Loss Dets Para Ref are AA, AB, etc.

**Note 11**

Values for Extended Policy Dets Para Ref are AA, AB, etc.

**Note 12**

Value for External Adjuster and Lawyer may be 'N/A' or 'VARIOUS'

**Note 13**

The Interchange Control Ref will continue to be populated sequentially from Convergence. The sequence number will not be re-set between the last advice from COSS and the first advice from the new Claims System.

**Note 14**

The date advised as the Month End Date is the year-month of the Accounting Month that is now closed (e.g. 19960900).

**Note 15**

Within the Movement Reference XX indicates the sequence of the movements for a claim and is coded AA, AB, AC .... AZ, BA, BB etc up to TZ. When the number of movements for a claim exceeds this range this component of Movement Reference will be coded A1, A2, A3... A9,B1,B2 etc up to T9.

Claim movements may have additional coding sequences XA...XZ to indicate quarterly rate of exchange updates and non-monetary critical changes, respectively. These references may intersperse the sequence for monetary changes (AA...).

Following Convergence the UA...UZ coding sequence will no longer be used on new claims, although they may continue to be advised as 'file seen' movements on converted claims until the first movement is created in CLASS (the Converged Claims System).

MMYY indicates the month and year the movement is first advised. This can be the accounting month, or the current month if different.

The first Movement Reference for all new claim entries created is AA.

**Note 16**

The NAIC Code Prefix has possible values C, G, P, F or other value to be defined.

**Note 17**

The OCR always defaults to the true Claim Office Reference (minus the currency suffix) of the Claim and cannot be changed. The only situation where the OCR on a claim will differ from the BPR is where there may be either a CCS advice or natural settlement advice – for the latter the BPR will be the modified Claims Office Reference (see Appendix G).

The usage code suffix of the OCR is not currently advised.

**Note 18**

Values for Previously Paid Indicator are 'Y' or 'N'.

**Note 19**

The Status Code shows whether a claim is open or closed. Values are 'C' (Closed) or 'O' (Open).

A claim may be closed for a number of reasons including that it is fully settled, that the claim event did not eventually give rise to any settlement, that the claim needed to be replaced by another claim or that it was set up in error. Where a single claim file gives rise to multiple claims advised on the SCM (BPRs), each claim may be closed independently of the other claims within the claim file.

When an individual claim (BPR) is closed for any reason on Converged CLASS, it will be advised during the next reporting period on the SCM with a Status Code of 'C' whether or not there are other related BPRs, linked to the claim file (that is any BPRs linked by the advised UCR or the non-advised Xchanging Claim Reference XCS), that remain open. Any related BPRs will be advised as 'File Seens' (Date Last Seen advices), with the same Status Code as was previously advised, unless a new movement has been created in which case the new movement will be advised with an appropriate Status Code value.

When an individual claim is marked as being erroneous, i.e. has Current Nett O/S Qualifier set to 'X', the Status Code will be set to and advised as 'C'. Also any related BPRs will be advised as 'File Seens', with the same Status Code as was previously advised, unless a new movement has been created in which case the new movement will be advised. A claim may not be re-opened once it has been marked as being erroneous, however the erroneous claim will continue to be advised as a 'File Seen' each time there is a change to a related BPR in the Claim File.

A claim may be re-opened once closed, provided that the claim was not marked as being erroneous, and a new movement will be advised with the Status Code set to 'O'. Also any related BPRs will be advised as 'File Seens', with the same Status Code as was previously advised, unless a new movement has been created in which case the new movement will be advised.

#### Note 20

Synd Line Reference, if taken in combination with the Syndicate Number (SYN) and Year of Account (YAC), provides a fixed reference for a syndicate line on the claim. However, field-values, including the Syndicate Number (SYN) itself, may change in relation to the Syndicate Line Reference Number (SLN). The latter does not necessarily bear any relation to the position of the syndicate-line on the risk or claim.

#### Note 21

Values for Trust Fund Code are:

RI –	Reinsurance Status
SL –	Surplus Line
NR –	Non Regulated
VI –	US Virgin Island
KY –	Kentucky
LL –	Illinois
OL –	Business incepted prior to 1/8/95
CN –	Canadian Non-Regulated 1993 and post account in CAD settlement currency
CR –	Canadian Regulated 1993 and post account in USD/CAD settlement currency
Part VII	
R7 –	Part VII RI Situs Regulated
– Part VII Surplus Line Reg	
N7 –	Part VII Non-Regulated Trust
V7 –	Part VII US Virgin Islands
K7 –	Part VII Kentucky Direct
L7 –	Part VII Illinois Direct Trust
O7 –	Part VII Pre 1/8/95 Trust
7N –	Part VII Non-regulated CAD

#### Note 22

Value for War Indicator 'Y' or 'N' or may be blank.

**Note 23**

Value of Written/Signed Ind (Risk) 'W' or 'S'. As regards the line status, the data-element name is a misnomer: S indicates "signed", but in general W now signifies " anticipated signed" rather than "written".

**Note 24**

Value for Loss Reserve Interest Indicator is 'Y' or 'N'.

**Note 25**

Where present the Unique Claim Reference will be a reference comprising Source Code (X), Originator Code (X4) and Reference (X12).

**Note 26**

Where present the Unique Market Reference will be a reference comprising Source Code (X), Originating Broker (X4) and Reference (X12).

## APPENDIX G – SCM AND THE CURRENCY CONVERSION SERVICE

### 1. Technical Specification

There were no changes to the Syndicate Claims Message (SCM) Technical Specification when in 1999 and 2000 Lloyd's introduced Settlements in other currencies, along with the alternative Currency Conversion Service (CCS).

However there are some data content and operational implications for the SCM for claim settlements in these currencies or in the alternate CCS.

### 2. Data Content Change

A claim record with one of the above settlement currencies is referenced by a single Claims Reference. Because of the CCS this reference needs to be advised to message users in the SCM in either the natural settlement currency or in GBP (for CCS), in accordance with the syndicate's requirements.

The CCS operates by currency. Therefore a syndicate may, for example, move from CCS to settlement In Currency for the euro but retain the CCS for other CCS associated currencies.

The message fields whose content may differ for a claim advice, depending upon whether the syndicate chooses to settle in the natural currency, or utilise the CCS are detailed below.

All other SCM advices remain unchanged.

#### 2.1 Bureau Primary Claim Reference (BPR)

This field normally contains the true Claim Reference. For the CCS advice this remains unchanged. However, for the natural settlement currency advice (in any currency other than GBP, USD and CAD), this now contains a system-generated reference which is different from the true Claim Reference, but bears a precise relationship to it. This relationship will differ according to whether the claim is a Marine claim or not.

For Non Marine and Aviation claims the currency digit, the second character in the BPR, is changed from 4 to 9 e.g. A41001410199 becomes A91001410199.

For Marine Claims the 5 digit sequence, the 6<sup>th</sup> character in the BPR, will have a '4' as forth digit instead of '0' e.g. M9901000013 becomes M9901400013.

#### 2.2 OCR

This normally defaults to the true Claim Reference minus the suffix. For both the natural settlement advice and for the CCS advice this field will continue to contain the true Claim Reference.

#### 2.3 LCR

Because the BPR is unique for a claim advised in the CCS currency and for the same claim advised in the natural settlement currency the LCR is also different in each case.

#### 2.4 Currency Key

The value of the currency key for both the natural settlement advice and for the CCS advice is either the value 3 or the value 4, depending on whether the claim is a Marine claim or not.

#### 2.5 Currency Code (Original)

Remains unchanged

#### 2.6 Currency Code (Settlement)

For the natural settlement currency advice this will contain EUR or any of the other currency abbreviations. For the CCS advice this will contain GBP.

## 2.7 Exchange Rate (Outstandings)

For the natural settlement advice, this will contain either: the value one, where the Original Currency and Settlement Currency are the same, or the fixed conversion-rate between the currency and the euro where the Original Currency is a euro participant currency and the Settlement currency is the euro, or the cross rate of the Original Currency to GBP ROE and the Settlement Currency to GBP ROE as appropriate.

## 2.8 Exchange Rate (Settlement)

For the natural settlement advice, this will contain either the value one, or the fixed conversion-rate, or the Broker supplied rate as appropriate.

For the CCS advice this will now contain either Lloyd's Treasury rate for the particular settlement, or the cross rate of the Treasury rate and either the fixed rate or the Broker supplied rate.

## 2.9 Paid To Date 100% (Settlement)

For the natural settlement advice, this will contain the total amount expressed in the natural settlement currency.

For the CCS advice, this will contain the total amount expressed in sterling.

Where a syndicate has changed from CCS to Natural Currency settlement (or visa versa) the advised Paid To Date (Settlement) will be the total PTD figure as if all settlements had been made in the advised settlement currency. It will not be the Paid To date from the point of migration.

## 2.10 Current Narrative

For both the natural settlement advice and the CCS advice, a fixed format second half of Line 2 of Current Narrative will be used to advise the Broker supplied settlement currency to the Syndicate and the rate of exchange applicable to the outstanding amount.

This enables:

The advice of a CCS convertible to be distinguished from that of a natural convertible where there is no 'split' advice.

Identification of the Broker supplied settlement currency.

The Sterling Exchange Rate of the Natural Settlement Currency to be used for Outstandings.

## 3. Migration from CCS to Settlement in Currency (and the reverse)

### 3.1 Timing of Cut-over to Settlement in currency

From Convergence the migration to Settlement in Currency will be simultaneous in both the Underwriter Signing Message (USM) and the SCM.

From the date that is agreed with a Message User/Syndicate for migration, settlements in the currencies changing to 'Settlement in Currency' will be advised in the same way in both messages.

### 3.2 SCM Advising after migration to Settlement In Currency

After migration to Settlement In Currency, for the first subsequent financial movement to each previously CCS associated claim, message users will be advised as follows in the same SCM:

A CCS advice with changed financial movement details under the CCS associated Reference (BPR) and LCR with the syndicate line on the claim reduced to zero.

A full advice for the claim in the natural settlement currency under the natural currency associated BPR and LCR with the syndicate line on the claim set to its true value.

Future movements thereafter will only produce a natural settlement advice.

### 3.3 Re-denominated Claims

Certain claims are advised and settled in mandatory CCS, even if the syndicate is taking pure currency. For example, if payments have been made on a claim in GBP and the broker then requests

future payments in euro (the claim is re-denominated from the Broker's perspective), the broker will be paid in euro, but the claim will continue to be settled from the syndicates and advised in GBP. Therefore, where a syndicate has moved from CCS to Settlement In Currency, there may still be claims coming through via the CCS advised in Sterling.

## APPENDIX H – SCM AND EURO CONVERSION OF CLAIMS DECEMBER 2002

### 1. Introduction

This appendix documents the changes to SCM data usage that occurred when in January 2002 the euro completely replaced the national currency units (NCU's) of the Economic & Monetary Union (EMU) participants.

### 2. Claims Converted for Euro

All claims that possessed a NCU Original Currency and which were not considered technically closed were converted to euro.

Closed claims, which were not converted, were determined as follows:

The criteria using data supplied in the in SCM is:

**Non-Marine and Aviation:** The Current Nett O/S (I) Orig is zero. The Current Nett O/S (I) TBA Ind is 'N' and the Current Nett O/S Qualifier is blank

**Marine:** The Current Nett O/S (I) Orig is zero. The Current Nett O/S (I) TBA Ind is 'N'. The Current Nett O/S Qualifier is blank. The Current Nett O/S (F) Orig is zero and the Current Nett O/S (F) TBA Ind is 'N'.

Unconverted NCU closed claims will never be re-advised in future daily SCM messages. Should a new movement arise on such a claim, a new claim reference in Euro will be established.

The conversion of open claims resulted in two new type 'Y' movements for each claim.

The first (YA) movement reduced all Outstanding Estimates (Current Net Outstanding Indemnity, Currency Net Outstanding Fees and Leading Underwriters Estimate) in NCU to zero (effectively closing the claim) and re-advised the Paid To Date information from the latest movement prior to conversion.

The second (YB) movement converted the Outstanding Estimates to euro (effectively re-opening the claim) and the Paid To Date Amounts (Original Currency only) reset to commence from zero in euros.

### 3. The Claim Conversion Movements in Detail

An example of movements resulting from euro conversion on a claim is demonstrated in the table below which uses a rate of exchange of 6.25 FRF to 1 EUR, 10 FRF to 1 GBP and 0.6 GBP to 1 EUR for illustrative purposes:

Mov't	Closing Currency Code	Sett Currency Code	O/S in Closing Currency	Paid This Time in Closing Currency	Paid To Date In Closing Currency	Paid To Date In Sett Currency	Claim Narrative
AA	FRF	GBP	1000	-	-	-	-
AB	FRF	GBP	500	500	500	50	-
YA	FRF	GBP	0	-	500	50	FME FRF 500
YB	EUR	GBP	80	-	0	50	FME FRF 500
AC	EUR	GBP	60	20	20	62	FME FRF 500

Both conversion movements were advised in the same Syndicate Claims Message, the YA movement appearing first followed by the YB movement for each converted claim.

The AC movement is shown to demonstrate what happened in a movement subsequent to transition

A full claim SCM advice, with no settlement this time, was produced for each conversion movement.

A new line of formatted claims narrative, referred to as FME narrative, was introduced to advise the Paid To Date Amounts in Original Currency that had been reached in the NCU prior to euro conversion. FME narrative was advised in both of the conversion movements and thereafter on all future movements after conversion.

*Note: After the introduction of 2.4.2b and 2.4.3b the FME Narrative is (for all Markets) advised in the SCM data element Transaction Details.*

### 3.1 The YA Conversion movement

Except for the following fields SCM data items were derived from the last movement on the claim prior to conversion:

#### Transaction Details (TXD)

The Claim Narrative supplied in these data elements included (at the time of conversion) the new FME Narrative as the 1<sup>st</sup> or 2<sup>nd</sup> line of this narrative (see 3.6.1).

#### Movement Reference (MOV)

Set to YA0102

#### Current Nett O/S (I) (Orig) (OSI)

Reduced to zero

#### Current Nett O/S (I) TBA Ind (OSI)

Denoted that the claim's outstandings are nil: 'N' for both Non Marine/Aviation and Marine Claims

#### Current Nett O/S (F) (Orig) (OSF)

Reduced to zero.

#### Current Nett O/S (F) TBA Ind (OSF)

Denoted that the claim's outstandings are nil: Blank for Non Marine/Aviation Claims, 'N' for Marine Claims.

#### Current Nett O/S Qualifier (OSQ)

Denoted that the claim's outstandings are nil: Blank for both Non Marine/Aviation and Marine Claims

#### Leading Underwriters Estimate (LUR)

Reduced to zero when present

#### Leading Underwriters Estimate qualifier (LUR)

When the Leading underwriters Estimate is present then this qualifier will be set to 'N' to denote that the claim's Lead Underwriter's Outstanding Reserve is nil

Note: The Highest Estimate (HEM) and Highest Estimate Leading U/W (LUH) were restated from the last advised movement in NCU and were not reduced to zero.

#### Current Narrative (CTN)

States: 'EURO TRANSITION CLAIM CONVERSION MOVEMENT'

### 3.2 The YB Conversion Movement

Amounts when converted were rounded to the nearest cent.

However, Outstanding Amounts, (held in the Claims System as whole amounts) were rounded up or down to the nearest whole euro using the absolute value and any sign then reapplied e.g. 412.1 becoming 412, 412.9 becoming 413, -67.2 becoming -67, -67.9 becoming -68. In some cases, a nominal sum is entered as an Outstanding Loss that will result in a conversion amount of less than "1". In these cases, the conversion of the outstanding amount will be expressed as 1 euro e.g. -0.2 becoming -1.

When conversion took place each individual Claims System element that was converted up/down to the nearest whole euro may have resulted in an SCM message variance when the totals were applied. (i.e. OSI field varies in the total amounts for marine/non marine/aviation business). It is possible for the SCM to vary up to +3 or -2 euros.

Fields converted to the nearest cent in the Claims System:

- Highest Estimate HEM
- Highest Estimate (Leading U/W) LUH
- Fields converted to the nearest euro in the Claims System.
- Current Nett O/S (F) (Orig) OSF
- Field totaled up in the SCM derived from fields converted to the nearest euro in the Claims System
- Current Nett O/S (I) (Orig) OSI
- Leading U/Wr's Estimate LUR



Except for the following fields SCM data items were derived from the last movement on the claim prior to conversion:

---

**Transaction Details (TXD)**

The Claim Narrative supplied in these data elements additionally included (at the time of conversion) the FME Narrative as the 1<sup>st</sup> or 2<sup>nd</sup> line of this narrative (see 3.6.1).

---

**Currency Code (Orig) (OCC)**

Advised as the currency abbreviation for euro (EUR)

---

**Movement Reference (MOV)**

Set to YB0102

---

**Current Nett O/S (I) (Orig) (OSI)**

The last advised amount prior to conversion converted at the fixed NCU to euro ROE (rounded as stated above)

---

**Current Nett O/S (I) TBA Ind (OSI)**

Denoted that the claim's outstandings are to be advised: Set to the value of the last advised movement prior to conversion (this may be 'Y', blank or 'N' for both Non Marine/Aviation and Marine Claims).

---

**Current Nett O/S (F) (Orig) (OSF)**

The last advised amount prior to conversion converted at the fixed NCU to euro ROE (rounded as stated above)

---

**Current Nett O/S (F) TBA Ind (OSF)**

Denoted that the claim's outstandings are to be advised: Set to the value of the last advised movement prior to conversion (this will be Blank or 'N' for Non Marine/Aviation Claims and Blank, 'Y' or 'N' for Marine Claims).

---

**Leading Underwriter's Estimate (LUR)**

This estimate when supplied is the last advised amount prior to conversion converted from NCU to euro at the fixed rate of exchange (rounded as stated above). When the Broker presents future movements on the converted claim these, when supplied, will be stated in euro.

---

**Leading Underwriter's Estimate Qualifier (LUR)**

When the Leading Underwriter's Estimate is present then this qualifier is set to the value of the last movement prior to conversion.

---

**Paid To Date 100% (I) (Orig) (PDI)**

Restarted from zero, hence advised as zero

---

**Paid To Date 100% (F) (Orig) (PDF)**

Restarted from zero, hence advised as zero

---

**Exchange Rate (Outstandings) (ROE)**

The ROE between the Original Currency and Settlement Currency from the latest movement prior to conversion modified by the NCU to Euro Fixed Rate and rounded to the nearest 8 decimal places.

---

**Highest Estimate (HEM)**

The last advised amount prior to conversion converted from NCU to euro at the fixed rate of exchange (rounded as stated above). On future advices the amount advised might be this converted amount **or** the O/S estimate in euro plus the PTD in NCU converted to euro, plus the PTD in euro, whichever is the greater.

---

**Highest Estimate (Leading U/W) (LUH)**

Converted from NCU to euro at the fixed rate of exchange (rounded as stated above). On future advices the amount advised might be this converted amount **or** the O/S estimate in euro plus the PTD in NCU converted to euro, plus the PTD in euro, whichever is the greater.

---

Notes:

Where any converted amount contains components, which were originally quoted prior to 1/1/1999 in NCU, i.e. before the fixing of the exchange rate between NCU and euro, Ins-Sure does so for the convenience of message users. This does not imply that Ins-Sure considers the fixed rate should be applied to the interpretation of contracts prior to that date, which it stresses is a matter to be agreed between the contract parties in each and every case.

Paid To date amounts in settlement Currency were not reduced to start from zero in euro. These were advised as amounts from the last advised movement prior to conversion.

---

On converted NCU claims when the last movement is re-advised for a non-critical non-financial movement i.e. 'Date Last Seen' movement. The YB movement maybe re-advised again in future.

#### Current Narrative (CTN)

States 'EURO TRANSITION CLAIM CONVERSION MOVEMENT'

Country	Currency	Orig Ccy Abbrev	Fixed ROE with EURO
AUSTRIA	SCHILLING	ATS	13.7603
BELGIUM	FRANC	BEF	40.3399
FINLAND	MARKAA	FIM	5.94573
FRANCE	FRANC	FRF	6.55957
GERMANY	DEUTSCHE MARK	DEM	1.95583
GREECE	DRACHMA	GRD	340.75
IRELAND	POUND	IEP	0.787564
ITALY	LIRE	ITL	1936.27
ITALY	CEN LIRE	ITK	19.3627
LUXEMBOURG	FRANCS	LUF	40.3399
NETHERLANDS	GUILDER	NLG	2.20371
PORTUGAL	ESCUDO	PTE	200.482
PORTUGAL	CEN ESCUDO	PTD	2.00482
SPAIN	PESETA	ESP	166.386
SPAIN	CEN PESETA	ESN	1.66386

### 3.4 Euro Currencies to be Converted and ROE with the Euro

The settlement CCS remains unaffected by euro conversion.

For example where before conversion a claim had an Original Currency of FRF and a Settlement currency of EUR both the YA and YB conversion movements (and all subsequent movements) were expressed as if the claim had a Settlement Currency of GBP.

Using the Exchange Rate (Outstandings) field as an example: in the YA movement this data item expressed the ROE of the last movement (an FRF to GBP Exchange Rate), whilst the 'YB' movement expressed this field as the ROE of the last movement modified by the Fixed Rate to euro to arrive at a EUR to GBP Exchange Rate.

The Bureau Primary Claim Reference (BPR) and the Lloyds Claim Reference (LCR) for each claim where a syndicate is not using the CCS were unchanged from their previously advised (modified from the Claim System Reference) values.

### 3.5 Advising the Paid To Date Reached in NCU Prior to Transition

After the introduction of 2.4.2b and 2.4.3b the total of payments in NCU are advised in the Group 6 Free Text field Transaction Details (Qualifier TXD).

A formatted Line of Narrative has been developed for these data items which will be recognised by the prefix FME.

This narrative was advised at conversion and will be advised whenever the claim is advised again after transition.

#### 3.6.1 Rules

The formatted loss details are identified with the prefix FME.

FME formatted narrative advises the claim Paid To Date Amount reached in the National Currency Unit prior to Euro conversion.

FME formatted narrative is advised on the Euro conversion movements and on each and every subsequent converted claim advice.

When the converted claim is also valid for Canadian/US/Brexit Part VII Trust Fund advising the first line of TRANSACTION DETAILS is the FMT narrative line containing Trust Fund information, with FME narrative in the second line.

When the claim is not valid for Canadian/US/Brexit Part VII Trust Fund advising, the first line of TRANSACTION DETAILS is the FME narrative line.

### 3.6.2 Structure & Format

The general structure is:

FME/OCC/NCU Closing Currency/PTDI/PTDI Amount/PTDF/PTDF Amount/

Totaling a maximum of 58 characters including field separators

Field 1 – FME starts in Position 1. Always be advised.

The field separator is the / character.

Field 2 – OCC – A literal 'OCC' meaning Original Closing Currency Qualifier.

Field 3 – The Original NCU Closing Currency for the claim e.g. FRF.

Field 4 – PTDI – A literal 'PTDI' meaning Paid To Date Indemnity Qualifier. If Indemnity payments are applicable (there is a Paid To Date Indemnity amount on the Claims System or there is an Outstanding Indemnity Estimate on the Claims System) then this is 'PTDI' otherwise advised as four spaces.

Field 5 – Paid To Date Indemnity Amount – A 17 position field to two decimal places and signed.

If Indemnity payments are not applicable these are advised as 17 spaces.

If Indemnity payments are applicable and are zero then these are advised.

Example: 0000000001012.30+ Equivalent to 1012.30+

Example: 0000000000000.00+ Equivalent to zero

Field 6 – PTDF – A literal 'PTDF' meaning Paid To Date Fees Qualifier. If Fee payments are applicable (there is a Paid To Date Fees amount on the Claims System or there is an Outstanding Fees Estimate on the Claims System) then this is 'PTDF' otherwise advised as four spaces.

Field 7 – Paid To Date Fees Amount – A 17 position field to two decimal places and signed.

If Fee payments are not applicable these are advised as 17 spaces.

If Fee payments are applicable and are zero then these are advised.

Field 7 is terminated with a final separator consistently advised in position 58.

### 3.6.3 Structure & Format Examples

FME/OCC/FRF/PTDI/0000000010000.00+/PTDF/0000000000100.00+/  
Claim liable to Indemnity Payments (10,000 FRF's). Liable to Fee Payments (100 FRF's)

FME/OCC/FRF/PTDI/0000000000000.00+/PTDF/0000000000000.00+/  
Claim liable to Indemnity Payments. Indemnity zero. Liable to Fee Payments. Fees Zero

FME/OCC/FRF/bbbb/bbbbbbbbbbbbbbbbb/PTDF/000000000000.00+/  
Where b= a space.

Claim not liable to Indemnity Payments. Liable to Fee Payments. Fees zero.

FME/OCC/FRF/PTDI/0000000010000.00+/bbbb/bbbbbbbbbbbbbbbbb/  
Claim liable to Indemnity Payments. Indemnity (10,000 FRF's). Not liable to Fee Payments.

## 4. Euro Transition and Correction Processing

### 4.1 Cancellation

For claims that have been converted from NCU to euro, where it is necessary to correct a claim by cancellation and replacement, then all the settlements on the claim (both NCU and euro) will be reversed by a single full euro equivalent amount.

The example below demonstrates a cancellation backing out with a euro equivalent, all euro and NCU amounts. The table uses a rate of exchange of 2 DEM to 1 EUR, 2 EUR to 1 GBP and 4 DEM to 1 GBP for illustrative purposes. PTD Equ is the Total PTD on the claim (NCU and euro) expressed in euro.

Mov't	Settlement			Original Ccy		Claim Narrative			
	PTT	ROE	PTD	Ccy	O/S	PTT	PTD	PTD Equ	
AA	-		-	DEM	1,000	-	-	-	
AB	125	4.0	125	DEM	500	500	500	-	
YA	-		125	DEM	0	-	500	-	FME DEM 500
YB	-		125	EUR	250	-	0	250	FME DEM 500
AC	25	2.0	150	EUR	200	50	50	300	FME DEM 500
AD	-150 ▽	2.0	0	EUR	0	-300	-250	0	FME DEM 500

▽ When the settlement currency is a CCS associated currency then the PTD Settlement will be backed out by an equal amount in GBP.

The FME narrative will be displayed on all movements from the YA movement as described above and also in section 3 paragraph 6.

### 4.2 Replacement

The replacement entry is as follows.

Mov't	Settlement			Original Ccy		Claim Narrative			
	PTT	ROE	PTD	Ccy	O/S	PTT	PTD	PTD Equ	
AA	150	2.0	150	EUR	200	300	300	300	Manual Narrative Linking to cancelled claim

On the new first AA movement a manual narrative detail will provide a link to the cancelled claim.

## APPENDIX I – SCM AND CONVERGENCE

### 1. Introduction

The Convergence project enables some changes to the SCM, namely:

- a. Some data elements previously unpopulated can now be provided (See Section 5)
- b. A Month End Date can now be supplied to Version 2.4.3b (See Example 4 in Appendix B)
- c. A Null Message can be advised to users when there is no claims data to advise (See Examples in Appendix B)
- d. A full advice will be advised for each and every movement on a claim (See Section 3.3 and Examples 3&4 plus 5&6 in Appendix B)
- e. Claim & Policy Narrative will be populated from formatted fields in the Claims System rather than free text narrative. Hence some of the differences when advising policy and claim narrative can be removed (See Section 5 and Examples in Appendix B)
- f. Where possible redundant data elements have been deleted from the message (See 3.2 below and Sections 5 & 6)

The project also enables some changes to business procedures that have an impact upon the SCM:

- a. The Claim Accounting Month can consistently be closed on the last processing period of the Calendar Month.

The purpose of this Appendix is to draw attention to some implications that have not been explained elsewhere in this specification.

### 2. Accounting Month End

After the introduction of 2.4.2b and 2.4.3b the close of the Claims Accounting Month End will fall on the last processing period of a Calendar month. In practice this will be the last working day of any Calendar Month, excepting December annually, when the Close of Accounting Month occurs earlier (notified in the 'Year End Processing Schedule').

#### 2.1 Month End for SCM 2.4.3b Message Users

After the introduction of 2.4.2b and 2.4.3b, the 2.4.3b message users will receive the data element MonthEnd Date – Qualifier MED. This data element will be populated with the Year and Month of the Accounting Month that is closing in the final SCM for the processing period (e.g. DTM20020400). SCM's for other dates (that are not Accounting Month End) will have this data element populated as blank (e.g. DTM).

Where a message user receives more than one SCM for the final processing period, the message with the highest sequence number will have its Month End Date populated.

Where there is no claims data to advise for the final processing period a null message will be received wherein the data element Month End date will be populated.

#### 2.2 Month End for SCM 2.4.2b Message Users

After the introduction of 2.4.2b and 2.4.3b, the 2.4.2b message users will need to continue to rely upon determining the close of an Accounting Month by:

- a. receipt of the EDI Express Bulletin issued by Xchanging Ins-Sure Services notifying the close of the Claims Accounting Month
- or
- b. detecting a change of month in the data element Accounting Month – Qualifier ACM, in the SCM for the first processing period of a new Accounting Month. Where a message user receives more than one SCM for the first processing period, a change of month can be detected from the message with the lowest sequence number.

Where a message user receives more than one SCM for the first processing period, the change of Accounting Month will be detected in the message with the lowest sequence number.

- c. Where there is no claims data to advise for the first processing period a null message will be received from which the change of Accounting month can be detected.

### 3. SCM Policy Narrative & Claim Narrative Implications

#### 3.1 Policy Narrative

After the introduction of 2.4.2b and 2.4.3b the following policy narrative data elements, currently populated from free text narrative in the Claims System, will be populated from formatted fields:

- Vessel/Aircraft/Conveyance
- Perils/Conditions
- Interest/Description
- Principal Insured/Coverholder
- Limits/Ins Value/Excess
- Slip Order

**Where any of the first four of the above are advised in EPD, a prefix qualifier will be generated and used at the start of that narrative line:**

R/I – Reinsured

---

Ins – Insured

---

C/H – Coverholder

---

O/I – Original Insured

---

VSL – Vessel

---

**Any other name (i.e. not Reinsured, Insured, Coverholder, Original Insured or Vessel) no prefix will be generated.**

Users should be aware that conversion of these data elements might cause the first advice from the Converged Claims System to be inappropriately derived from the free text narrative in COSS.

For example SCM data element Interest/Description is currently advised from free text narrative line 3 in COSS. In some cases this line of narrative may have been actually keyed with Perils/Conditions. Conversion will cause the new Claims System field Interest/Description to actually contain Perils/Conditions.

Wherever possible the technician entering the claim will (using this example) ensure that Policy Details are correctly 'positioned' when entering the first movement that occurs after Convergence.

#### 3.2 Claim Narrative

The Data Element Loss Details will, after the introduction of 2.4.2b and 2.4.3b, be populated with details of up to the first three lines of Claim Narrative for all Markets, not just Non Marine/Aviation Marine.

The data element Extended Loss Details (ELD) will, for all Markets, contain the fourth and subsequent lines of claim narrative (if entered).

The Group 6 data element Transaction Details will in future contain any existing formatted narrative of which there are currently two examples: FME Narrative for Euro converted claims and FMT Narrative for Canadian, U.S. and Brexit Part VII Claims.

##### 3.2.1 Impact of changes to Claim Narrative – Converted Claims

Non Marine/Aviation Claims that were advised with FMT and FME Narrative in the first two lines of Loss Details (LDL) will now have this Narrative advised in Transaction Details (TXD).

Marine Claims which were advised up to two lines of Claim Narrative in Transaction Details (TXD) will now have up to three lines of this Narrative advised in Loss Details (LDL).

Where a claim attracted both FMT and FME Narrative then on a converted claim one line of Loss Details (LDL) will be advised, with the remaining Claim Narrative advised in Extended Loss Details (ELD). This will have been caused by the redirection of FMT/FME Narrative into Transaction Details (TXD).

Where a claim attracts either FMT or FME Narrative then on a converted claim two lines of Loss Details (LDL) will be advised, with the remaining Claim Narrative advised in Extended Loss Details (ELD).

### 3.2.2 Impact of changes to Claim Narrative – Converged System

Claims newly entered to the new Claims System could attract FMT Narrative, but never FME Narrative.

Where a claim attracts FMT Narrative then up to two lines of Loss Details (LDL) will be advised, with the remaining Claim Narrative advised in Extended Loss Details (ELD).

The FMT Narrative will be advised in Transaction Details (TXD).

### 3.3 Redundant Fields

The changes for Convergence have enabled some redundant fields in the message to be deleted.

Where a data element has been deleted this has in some cases impacted the 'order' position of subsequent Data Segments. Such changes are highlighted in Section 5 (Data Elements In Segment Sequence) and Section 6 (Data Elements In Qualifier Sequence).

A list of redundant fields that have been deleted follows:

Data Elements (in Message Sequence)	Reason For Deletion
Surveyor's Reference	Data Element was not advised prior to Convergence and is not supported by the Converged Claims System
Surveyor	As above
Slip Order % 2	As above
Slip Order % 3	As above
LOC Indicator	Not Supported by Converged Claims System
Class Code	As above
DTI Code	Data Element was not advised prior to Convergence and is not supported by the Converged Claims System
Category Code	Not Supported by Converged Claims System
Total Loss Indicator	As above
Audit Code (Marine)	As above
Audit Code (Non-Marine)	As above
Audit Code (Aviation)	As above
Duplicate Status	As above
Market Type Code	Data Element was not advised prior to Convergence and is not supported by the Converged Claims System
VAT Code	As above
Period of Policy in Months	
Period of Cover in Months	
Period Of Policy Narrative	As above
Period Of Cover Narrative	As above
CPA Certificate Numbers	As above
Overseas Settling Agent	As above
Slip Order Narrative	As above
Comp/Synd's Risk Reference	As above
LOC Outstanding	Not Supported by Converged Claims System
LOC Outstanding Qualifier	As above

<b>Data Elements (in Message Sequence)</b>	<b>Reason For Deletion</b>
Actual Payment Date	Data Element was not advised prior to Convergence and is not supported by the Converged Claims System
Bureau Checker (Settlement)	Not Supported by Converged Claims System
Small Claim Scheme Indicator	Data Element was not advised prior to Convergence and is not supported by the Converged Claims System



## APPENDIX J – OUTSTANDING CLAIM QUALIFIER

### 1. Introduction

In 2004 the ECR Working Group reviewed the market practices in the setting and management of non-numeric reserves – including TBAs – within the Lloyd's market. The review was addressing the root causes of non-moving claims and this has been principally driven by the continuing uncontrolled use of TBA codes – also known as non-numeric codes. The Working Group considered the current usage of the Claim Status Indicator Codes (summarised below) within the Lloyd's claims recording system, Converged CLASS.

Following consultation, in 2005 changes were introduced in the usage of the Claim Status Indicator Codes on Converged CLASS with consequential changes with reporting on the SCM.

### 2. Usage

Prior to the implementation of the changes, the Claim Status Indicator Codes in use on Converged CLASS were:

C –	Closed
E –	Expenses
F –	Fees
R –	Recovery
T –	TBA
S –	Subrogation
N –	Nil
V –	Salvage
Z –	Claim expected – no reserve figure available

Following the implementation of the changes, the Claim Status Indicator Codes in use on Converged CLASS are:

C –	Closed
A –	Awaiting advice from cedant or Coverholder
L –	Circumstances of loss notified (long tail only)
M –	Claim Notified awaiting report from lawyer/adjuster
P –	Precautionary
S –	Subrogation
R –	Recovery
X –	Erroneous entry
U –	Uber precautionary

### 3. Advising

The Claim Status Indicator Codes are used to populate four different fields on the SCM:

- Current Nett O/S Qualifier – OSQ
- Current Nett O/S (Indemnity) TBA Ind – OSI
- Current Nett O/S (Fee) TBA Ind – OSF
- Status Code – SCD (SCM version 2.4.3 only)

### 4. CLASS Qualifier Entry – Post Implementation

On Converged CLASS, there are three different qualifiers, Loss, Fees and Total. The use of these qualifiers is dependent on whether the claim is Marine or Non-Marine/Aviation and on a number of different fields as shown in the following table. “N/A” means that that Qualifier cannot be used for that claim type, “No Qualifier” means that a qualifier code cannot be entered for that condition and “Qualifier” means that a qualifier code must be entered for that condition.

	O/S Indemnity	O/S Expense	O/S Fee	O/S Loss Qualifier	O/S Fee Qualifier	O/S Total
Non-Marine / Aviation	Value	Value	Value	N/A	N/A	No Qualifier
	Value	Value	Zero	N/A	N/A	No Qualifier
	Value	Zero	Zero	N/A	N/A	No Qualifier
	Zero	Zero	Zero	N/A	N/A	Qualifier
	Zero	Zero	Value	N/A	N/A	No Qualifier
	Zero	Value	Zero	N/A	N/A	No Qualifier
	Zero	Value	Value	N/A	N/A	No Qualifier
	Value	Zero	Value	N/A	N/A	No Qualifier
Marine	*Zero	*Value	*Zero	Qualifier	Qualifier	N/A
	Value	Value	Zero	No Qualifier	Qualifier	N/A
	Zero	Zero	Value	Qualifier	No Qualifier	N/A
	Zero	Zero	Zero	Qualifier	Qualifier	N/A
	Zero	Value	Value	Qualifier	No Qualifier	N/A
	Value	Zero	Value	No Qualifier	No Qualifier	N/A

### Marine

- Whenever the O/S Fee Amount is zero, the O/S Fee Qualifier will be set to 'N'.
- \* For this condition, the value entered into the O/S Expense field will be advised and not the O/S loss qualifier.
- For advising on the SCM, the values entered into the O/S Indemnity and O/S Expense fields are added together and advised as SCM O/S Indemnity (OSI) and the value entered into the O/S Fee field is advised as SCM O/S Fee (OSF) separately.

### Non-Marine/Aviation

- For advising on the SCM, the values entered into the O/S Indemnity, O/S Expense and O/S Fee fields are added together and advised as SCM O/S Indemnity (OSI).

## 5. Advising Post Implementation

### 5.1 Codes now invalid on CLASS

Following implementation of SCM v2.4.2c and SCM v2.4.3c, a number of the codes will no longer be valid for use on Converged CLASS as O/S Loss and O/S Total Qualifiers. These are:

E – Expenses
F – Fees
N – Nil
T – TBA
V – Salvage
Z – Claim expected – no reserve figure available

These codes may not be entered for new claims that are created post implementation, or for new movements on claims that were created pre implementation.

### 5.2 Date Last Seen

The only situation where a now invalid Outstanding Qualifier code may be advised on the SCM is for a Date Last Seen advice ('File Seens'). In other instances invalid qualifiers will be changed to valid qualifiers.

*Date Last Seen advices, for claim movements which were created and advised prior to the introduction of these new codes, will result in the movement being re-advised with the same code values as were advised previously irrespective of whether the value is now valid.*

### 5.3 Correction of Invalid Codes

*Apart from the Date Last Seen advices, in all other situations codes that are now invalid will be corrected prior to advice on the SCM. These situations include:*

#### Contra Corrections

1) If the technician specifies that the outstanding amount should be reduced to Nil then:

For Marine Claims:

The Outstanding Loss Qualifier will be set to 'P'.

The Outstanding Fee Qualifier will be set to 'N'.

The Outstanding Total Qualifier will be set to 'P'.

For Non-Marine and Aviation Claims:

The Outstanding Total Qualifier will be set to 'P'.

2) If the technician does not specify that the outstanding amount should be reduced to Nil then the refunded PTT amount will be added to the outstanding amount.

For Marine Claims:

- If the Outstanding Loss Amount is zero then the Outstanding Loss Qualifier and the Outstanding Total Qualifier will be set to 'P'.
- If the resulting Outstanding Fee Amount is zero then the Outstanding Fee Qualifier will be set to 'N'.

For Non-Marine and Aviation Claims:

- If the resulting Outstanding Total Amount is zero then the Outstanding Total Qualifier will be set to 'P'.

Therefore for a Contra advice a valid Outstanding Qualifier Code will always be advised.

#### Scheme Canada

*If a claim transaction is received from Canada, in the Bordereau file, with an Outstanding Amount of zero then when the new movement is created on CLASS it will be allocated an Outstanding Amount Qualifier value of 'A'.*

#### Multi breakdowns (where another BPR linked by UCR or XCR has a movement)

For multi-breakdown claims, if a technician creates a Subsequent Transaction, then all breakdowns on that UCR must have a valid Outstanding Qualifier value. If any breakdown has an Outstanding Loss, Outstanding Fee or Outstanding Total Qualifier value that is no longer valid then the technician must create new movements for these breakdowns, adding a valid qualifier value, before they can complete the transaction.

#### Automated rate of exchange revision run

The Rate of Exchange Revision program only updates transactions that have an O/S amount.

## 5.4 Code Advising on SCM

A number of new codes will be added to the valid values that may be entered into Converged CLASS. The full list of new codes and how they are advised is below:

Converged CLASS Code	Advised on SCM
C = Closed	N in OSI TBA Ind C in SCD (v2.4.3 only) Blank OSQ
M = Claim notified, awaiting report from lawyer/adjuster	M in OSQ Y in OSI TBA Ind O in SCD (v2.4.3 only)
L = Circumstance of loss notified (long tail only)	L in OSQ Y in OSI TBA Ind O in SCD (v2.4.3 only)
A = Awaiting Advice from Cedent or Coverholder	A in OSQ Y in OSI TBA Ind O in SCD (v2.4.3 only)
P = Precautionary	P in OSQ Y in OSI TBA Ind O in SCD (v2.4.3 only)
R = Recovery	R in OSQ Blank in OSI TBA Ind O in SCD (v2.4.3 only)
S = Subrogation	S in OSQ Blank in OSI TBA Ind O in SCD (v2.4.3 only)
X = Erroneous entry Used on entry that has been closed due to an error which has necessitated in creation of a replacement entry.	X in OSQ N in OSI TBA Ind C in SCD (v2.4.3 only)
U = Uber precautionary	U in OSQ Y in OSI TBA Ind O in SCD (v2.4.3 only)

For Non-Marine/Aviation claims, on the SCM the OSF TBA Ind will be advised as blank (and the OSF as zero).

For Marine claims, on the SCM the OSF TBA Ind will be advised as "N" where there is no O/S Fee Amount and as blank where there is an O/S Fee amount.

## APPENDIX K – Brexit Part VII

### 1. Introduction

Following the UK's decision to exit from the EU, Lloyd's will lose their current "passporting" rights under EU law on the Transition End Date unless an agreement on the future relationship between the UK and the EU preserves such rights. As a result, members (acting through their syndicates and represented by their managing agents) would not be able to carry out the Transferring Policies (which will, broadly, consist of policies (or part thereof) which: (i) relate to EEA situs risk or (ii) have been issued to policyholders' resident in the EEA) through the existing structure at Lloyd's.

To enable Lloyd's, and the Market, to discard, in part, their obligations in respect to a Part VII transfer of premiums and claims attaching to in force and expired policies from syndicates to Lloyd's Brussels (LBS), XIS have introduced new Trust Fund Codes to enable these premiums and claims to be identified and notified to Managing Agents.

### 2. Usage

Value in Trust Fund Code field will be expanded to include Brexit Part VII Trust Fund Codes, in addition to existing US and Canadian Trust Fund Code values. This Trust Fund Code could be populated irrespective of Currency or Country.

FMT Narrative, advised as part of the Transaction Details, will now be advised for Brexit Part VII Trust Fund Codes. It will comprise of the following:

- Trust Fund Code, FIL Code, State of Origin Code, NAIC Reinsured Code, NAIC Code Prefix, and Country Code

Note that State of Origin Code, NAIC Reinsured Code, NAIC Code Prefix, and Country Code will only be populated for US and/or Canadian Trust Code values (including Brexit Part VII).

### 3. Post Implementation

#### 'File Seens' or 'Date Last Seens'

When the Claim is recorded in the Claims System as having had its 'File Seen' without any subsequent action being taken, the last movement on the claim will be advised in full with the Trust Fund Code and FMT Line unchanged,

#### New Movements

When a new movement to the claim occurs, and the claim is deemed to be Brexit Part VII, the Trust Fund Code will be updated to have a Brexit Part VII equivalent for an existing US/CAN Trust Fund Code, or P7 where it would not previously have had a Trust Fund Code value.

Note: There will be no movement to reduce the Incurred to zero between the movement prior to the Trust Fund Code and after the Trust Fund Code change.

Example:

COR	Movement ref	Settlement currency	Outstanding	Trust Fund code
COR1	AC	USD	500	NR
COR1	AD	USD	500	N7
COR2	AA	EUR	1000	
COR2	AB	EUR	1000	P7



### **About DXC Technology**

DXC Technology (NYSE: DXC) helps global companies run their mission critical systems and operations while modernizing IT, optimizing data architectures, and ensuring security and scalability across public, private and hybrid clouds. The world's largest companies and public sector organizations trust DXC to deploy services across the Enterprise Technology Stack to drive new levels of performance, competitiveness, and customer experience. Learn more about how we deliver excellence for our customers and colleagues at [DXC.com](https://www.dxc.com).

© 2021 DXC Technology Company. All rights reserved.

