

EDI technical specification



DSIGN

Company Signing Message: LIRMA

January 2023

Contents

USE OF THE TECHNICAL SPECIFICATION	3
1. OPERATING CONSIDERATIONS	4
1.1. MESSAGE REGISTRATION	4
1.2. OPERATING TIMETABLE	4
1.3. DSIGN EXPANSION ROUTINE	4
1.4. TEST TRANSMISSIONS.....	4
1.5. RE-TRANSMISSION	4
2. SEGMENT DIRECTORY	5
2.1. SEGMENT DEFINITIONS.....	5
2.2. RECORD TYPES	5
2.3. FIELD DEFINITIONS	5
3. DATA ELEMENT DIRECTORY	16
3.1. D01 record type.....	16
3.2. For Common Record Types	17
3.3. D02 DEFERRED RECORD	40
D02 XLA ADJUSTMENTS RECORDS	41
D05 TREATY STATEMENT ITEMS.....	43
D05 TREATY STATEMENT ADDITIONAL CLAIMS	45
3.4. D08 CONTROL TOTAL - RECORDS	48
3.5. D08 CONTROL TOTAL - SPECIALS	49
3.6. D08 CONTROL TOTAL - NORMAL SETTLEMENT	51
3.7. DA1 AMENDMENT RECORD.....	54
3.8. DA2 AMENDMENT RECORD	56
3.9. DA3 AMENDMENT RECORD.....	56
3.10. DA9 CONTROL RECORD	56
3.11. D09 CONTROL RECORD	56
3.12. DZ9 CONTROL RECORD	57
Signing Detail Message.....	60

USE OF THE TECHNICAL SPECIFICATION

Update - January 2023: This technical specification was released in January 2023 and replaces the version dated December 2021. The following changes have been made:

- References to Xchanging have been replaced with DXC.
- Queries are referred to the DXC Service Desk with details provided.
- Formatting has been applied to reflect the technical specification has been published by the London Market Joint Venture.
- 2.3 - XLA ADJUSTMENTS RECORD = D02-XL-ADJ-REC: End Note 1 Sign is Separate Trailing Character
- 2.3 - D08REC: 12 - (Not In Use)
- 2.3 - D08-AMOUNTS: Specials (Not in Use)
- 2.3 - DA2REC-OUT: Not In Use
- 2.3 - DA9REC: Not in Use
- 3.2 - ADJUSTABLE PREMIUM: Enums Added
- 3.2 - SLIP-ORDER_THIS_AP_NON_STD_SO: Values amended
- 3-10 DA9 CONTROL RECORD: Removed DA2, DA3

This technical specification has been compiled for the guidance of LIRMA, DXC and Corporation Staff. DXC accepts no liability in respect of any inaccuracy contained herein.

1. OPERATING CONSIDERATIONS

1.1. **MESSAGE REGISTRATION**

Please refer any queries to the DXC Service Desk by email to servicecentre@dxc.com or call 0870 380 0830.

Registration forms are also available from the following email:
SM.CSN.Applications@DXC.com.

1.2. **OPERATING TIMETABLE**

Signings will be transmitted each night, for the completed date of signing. Messages will normally be available for collection from the recipient's mailbox by 06.00 the following day.

1.3. **DSIGN EXPANSION ROUTINE**

Xchanging can provide an expansion routine for the DSIGN message to run on a PC or mainframe. Please refer any queries to the DXC Service Desk by email to servicecentre@dxc.com or call 0870 380 0830.

1.4. **TEST TRANSMISSIONS**

A test package can be made available for general use. In addition, facilities will be provided for companies to specify their own test data requirements.

Further details of test facilities can be obtained from the DXC Service Desk.

1.5. **RE-TRANSMISSION**

Interchanges will be available for re-transmission for six years.

2. SEGMENT DIRECTORY

2.1. SEGMENT DEFINITIONS

The following pages provide a list of all of the segments that will be used in the Lirma Company Signing message.

Each segment element is identified, accompanied by the format of the element and an indication of the Lirma usage.

Data formats are described using the following conventions:

'X'	denotes an alphanumeric field
'9'	denotes a numeric field
(nn)	indicates the number of characters permitted.

2.2. RECORD TYPES

TYPE/DESCRIPTION

D01	Data 1 st record
D02	Premium
D03	Claim
D04	Proportional Treaty FDO
D05	Proportional Treaty Statement
D06	Not used
D07	Not used
D08	Control Record (Amount Totals for Data Type)
D09	Control Record (Total number of records for Data Type)
DA1	Amendment Record (Amendment of Member References)
DA2	Amendment Record (Private Information Details) (Obsolete)
DA3	Amendment Record (Amendment of Broker References) (Obsolete)
DA9	Amendment Record (Control Record for DA1 records)
DZ9	Data Control Record (Total records for Group)

2.3. FIELD DEFINITIONS

RECORD-AREA PIC X(6000) VALUE SPACES.

D01REC REDFINES HEADERS-RECORD-AREA.

FIELD	LOCATION	DATA-NAME	DATA-TYPE
1 + 2	1	02 IDENT	PIC X(4).

FIELD	LOCATION	DATA-NAME	DATA-TYPE
3	5	02 IGNORE	PIC X(9).
4	14	02 MBR-GRP-OR-ACC	PIC X(3).
5	17	02 IGNORE	PIC X(3).
6	20	02 MBR-GROUP-NO	PIC X(3).
6	198	02 MBR-GRP-ACC-NO	PIC X(3).
7	23	02 WEEK-ENDING	PIC X(6).
N/A	29	02 PERIOD-START	PIC X(6).
N/A	35	02 PERIOD-END	PIC X(6).

D02-REC REDEFINES-RECORD-AREA.

D03-REC REDEFINES-RECORD-AREA.

D04-REC REDEFINES-RECORD-AREA.

FIELD	LOCATION	DATA-NAME	DATA-TYPE
1	1	03 REC-TYPE	PIC X(3).
2	4	03 ENTRY-TYPE-X.	
		05 ACTION-IND	PIC X(1).
3	5	05 ENTRY-TYPE	PIC X(2).
3	7	03 SPECIAL	PIC X(1).
4	8	03 IGNORE	PIC X(1).
5	9	03 CEN-SETT	PIC X(1).
6	10	03 IGNORE	PIC X(4).
7	14	03 MBR-CODE	PIC X(6).
8	20	03 MBR-GROUP	PIC X(3).
9	23	03 MBR-SHNM	PIC X(12).
10	35	03 MBR-REF	PIC X(12).
11	47	03 MBR-STATS	PIC X(12).
12	59	03 MBR-REF2	PIC X(12).
13	71	03 MBR-STATS2	PIC X(12).
14	83	03 BKR-CODE	PIC X(3).
15	86	03 BKR-MNEM	PIC X(3).
16	89	03 BKR-SHNM	PIC X(20).
17	109	03 BKR-REF-A	PIC X(12).
18	121	03 BKR-REF-B	PIC X(12).
19	133	03 IGNORE	PIC X(3).
20	136	03 SETTLEMENT INDICATOR	PIC X(1).
21	137	03 SETT-DATE	PIC 9(6).
21	143	03 ORIG-PSAC-NO	PIC 9(13).
22	156	03 PSAC-NO	PIC 9(13). See Appendix A
23	169	03 ALT-PSAC-NO	PIC X(15).
24	184	03 AFFECTED-PSAC-NO	PIC 9(13).

FIELD	LOCATION	DATA-NAME	DATA-TYPE
25	197	03 ORIG-CURR-ILU	PIC X(3).
26	200	03 ORIG-CURR-ISO	PIC X(3).
27	203	03 ORIG-CURRENCY	PIC X(1).
28	204	03 SETT-CURR-ILU	PIC X(3).
29	207	03 SETT-CURR-ISO	PIC X(3).
30	210	03 REINSURED	PIC X(50).
31	260	03 INSURED	PIC X(50).
32	310	03 INTEREST	PIC X(50).
35	485	03 SUM-INSURED-NARR	PIC X(100).
		03 SUM-INSURED-ORIG.	
36	585	05 HIGHEST-TOTAL	PIC 9(15).
37	600	05 HIGH-CURR-ISO	PIC X(3).
38	603	05 HIGH-CURR-ILU	PIC X(3).
39	606	05 INCREASED-SI	PIC X(1).
40	607	05 NON-STD-SI	PIC X(1).
		03 SUM-INSURED-REV.	
41	608	05 HIGHEST-TOTAL	PIC 9(15).
42	623	05 HIGH-CURR-ISO	PIC X(3).
43	626	05 HIGH-CURR-ILU	PIC X(3).
44	629	05 NON-STD-SI	PIC X(1).
		03 SUM-INSURED-THIS-AP.	
45	630	05 HIGHEST-TOTAL	PIC 9(15).
46	645	05 HIGH-CURR-ISO	PIC X(3).
47	648	05 HIGH-CURR-ILU	PIC X(3).
48	651	05 NON-STD-SI	PIC X(1).
		03 SLIP-ORDER-ORIG.	
49	652	05 SLIP-ORDER1	PIC 9(3)V9(7).
50	662	05 SLIP-ORDER2	PIC 9(3)V9(7).
51	672	05 NON-STD-SO	PIC X(1).
		03 SLIP-ORDER-REV.	
52	673	05 SLIP-ORDER1	PIC 9(3)V9(7).
53	683	05 SLIP-ORDER2	PIC 9(3)V9(7).
54	693	05 NON-STD-SO	PIC X(1).
		03 SLIP-ORDER-THIS-AP.	
55	694	05 SLIP-ORDER1	PIC 9(3)V9(7).
56	704	05 SLIP-ORDER2	PIC 9(3)V9(7).
57	714	05 NON-STD-SO	PIC X(1).
58	715	03 PERIOD-POLICY-NARR	PIC X(36).
		03 PERIOD-POLICY-ORIG.	
59	751	05 FROM-DATE	PIC 9(6).
60	757	05 TO-DATE	PIC 9(6).

FIELD	LOCATION	DATA-NAME	DATA-TYPE
61	763	05 NON-STD-POL 03 PERIOD-POLICY-REV.	PIC X(1).
62	764	05 FROM-DATE	PIC 9(6).
63	770	05 TO-DATE	PIC 9(6).
64	776	05 NON-STD-POL	PIC X(1).
65	777	03 PERIOD-PREMIUM-NARR 03 PERIOD-PREMIUM-ORIG.	PIC X(36).
66	813	05 FROM-DATE	PIC 9(6).
67	819	05 TO-DATE	PIC 9(6).
68	825	05 NON-STD-PRM 03 PERIOD-PREMIUM-THIS-AP.	PIC X(1).
69	826	05 FROM-DATE	PIC 9(6).
70	832	05 TO-DATE	PIC 9(6).
71	838	05 NON-STD-PRM	PIC X(1).
72	839	03 ADD-DETAILS	PIC X(100).
73	939	03 AP-RP-DETAILS	PIC X(150).NB. LOSS-DATE @ DISP OF 128.
74	1089	03 PREV-EXCHRATE	PIC 9(8)V9(7).
75-1	1104	03 PREV-NET-AMT	PIC 9(13)V9(2).
75-2	1119	03 PREV-NET-AMT-SIGN	PIC X(1).
76-1	1120	03 HIGH-EST	PIC X(12).
76-2	1132	03 PREVIOUS-SETT	PIC X(12).
76-3	1144	03 AMT-OS	PIC X(12).
77	1156	03 CLAIM-REF	PIC X(10).
78	1166	03 BKR-CONTACT	PIC X(25).
79	1191	03 STATEMENT-NARR 03 STATEMENT-PERIOD.	PIC X(36).
80	1227	05 FROM-DATE	PIC 9(6).
81	1233	05 TO-DATE	PIC 9(6).
82	1239	05 NON-STD-PRD	PIC X(1).
83	1240	03 ADJUSTABLE-PREMIUM	PIC X(1).
84	1241	03 VAT	PIC X(1).
85	1242	03 ATTACHMENTS	PIC X(1)
86	1243	03 CHECKER-INIT	PIC X(3).
87	1246	03 BULK-ENTRY-IND	PIC X(1).
88	1247	03 SMALL-CLAIMS-IND	PIC X(1).
89	1248	03 SLIP-LEAD-SHORT-NAME	PIC X(20).
90	1268	03 PSAC-LEAD-SHORT-NAME	PIC X(20).
91-1	1288	IGNORE-N1	PIC 9(15).
91-2	1303	IGNORE-N2	PIC X(1).
92-1	1304	03 IGNORE	PIC 9(15).

FIELD	LOCATION	DATA-NAME	DATA-TYPE
92-2	1319	03 IGNORE	PIC X(1).
93-1	1320	03 IGNORE-EST-PREMIUM	PIC 9(15).
93-2	1335	03 IGNORE	PIC X(1).
94	1336	03 EST-CURRENCY	PIC X(3).
95	1339	03 WRITTEN-LINE	PIC 9(3)V9(7).
96	1349	03 TERMS-OF-TRADE-DATE	PIC 9(6).
97	1355	03 DATE-OF-INCEPTION	PIC 9(6).
98	1361	03 SLIP-REG-NO	PIC X(24).
99	1385	03 ASSURED-SHORT-NAME	PIC X(30).
100	1415	03 UNIQUE-CLAIM-REF	PIC X(15).
101 *	1430	03 ADV-SETT-SEQ-NO	PIC 9(03).
102 *	1433	03 MBR-CLAIM-REF1	PIC X(12).
103 *	1445	03 MBR-CLAIM-REF2	PIC X(12).
104 *	1457	03 IGNORE	PIC X(144).
101 *	1601	03 EXCH-RATE	PIC 9(8)V9(7).
102 *	1616	03 PSAC-TOTAL	PIC 9(3)V9(7).
103 *	1626	03 MEMBER-LINE	PIC 9(3)V9(7).
104-1*	1636	03 GROSS-PREMIUM	PIC 9(13)V9(2).
104-2*	1651	03 GROSS-PREMIUM-SIGN	PIC X(1).
105-1	1652	03 GROSS-CONV	PIC 9(13)V9(2).
105-2	1667	03 GROSS-CONV-SIGN	PIC X(1).
106-1	1668	03 GROSS-SETT	PIC 9(13)V9(2).
106-2	1683	03 GROSS-SETT-SIGN	PIC X(1).
107-1	1684	03 BROKERAGE-CONV	PIC 9(13)V9(2).
107-2	1699	03 BROKERAGE-CONV-SIGN	PIC X(1).
108-1	1700	03 BROKERAGE-SETT	PIC 9(13)V9(2).
108-2	1715	03 BROKERAGE-SETT-SIGN	PIC X(1).
109-1	1716	03 TAX-CONV	PIC 9(13)V9(2).
109-2	1731	03 TAX-CONV-SIGN	PIC X(1).
110-1	1732	03 TAX-SETT	PIC 9(13)V9(2).
110-2	1747	03 TAX-SETT-SIGN	PIC X(1).
111-1	1748	03 OTHERDED-CONV	PIC 9(13)V9(2).
111-2	1763	03 OTHERDED-CONV-SIGN	PIC X(1).
112-1	1764	03 OTHERDED-SETT	PIC 9(13)V9(2).
112-2	1779	03 OTHERDED-SETT-SIGN	PIC X(1).
113-1	1780	03 NETT-CONV	PIC 9(13)V9(2).
113-2	1795	03 NETT-CONV-SIGN	PIC X(1).
114-1	1796	03 NETT-SETT	PIC 9(13)V9(2).
114-2	1811	03 NETT-SETT-SIGN	PIC X(1).
115	1812	03 BROKERAGE-PERC	PIC 9(3)V9(7).
116	1822	03 TAX-PERC	PIC 9(3)V9(7).

FIELD	LOCATION	DATA-NAME	DATA-TYPE
117	1832	03 OTHER-DEDUCTIONS-PERC	PIC 9(3)V9(7).
118	1842	03 EARLY-SIGNING-AP	PIC X(1).
119	1843	03 TERRORISM-CASE	PIC X(1).
120	1844	03 INS-PREM-TAX	PIC 9(13)V9(2).
121	1859	03 INS-PREM-TAX-SIGN	PIC X(1).
122	1860	03 BROKER-CODE-4	PIC X.(4)
123	1864	03 UCR-17	PIC X(17)
124	1881	03 UMR-17	PIC X(17)
125	1898	03 TR-17	PIC X(17)
126	1915	03 INS-PREM-TAX-ORIG	PIC 9(13)V9(2)
127	1930	03 INS-PREM-TAX-ORIG-SIGN	PIC X(1)
128	1931	03 INS-PREM-TAX-PERC	PIC 9(3)V9(7)
129	1941	03 IPT-PART-OR-WHOLE	PIC X(1)
130	1942	03 IPT-SETTLED-OR-RECORDED	PIC X(1)
131	1943	03 IPT-COUNTRY-CODE	PIC X(3)
132	1946	03 ENTRY-TYPE-2	PIC X(3)
133	1949	03 DE-LINKED-INDICATOR	PIC X(1)
134	1950	03 BKR-CONTACT-TELEPHONE	PIC X(15)

DEFERRED RECORD = D02-REC-DEFERRED

D02-REC-DEFERRED REDEFINED - RECORD-AREA.

FIELD	LOCATION	DATA-NAME	DATA-TYPE
		02 IGNORE	PIC X(2200).
		02 TOTAL-LINE-TABLE-AREA.	
		03 TOTAL-LINE-TABLE	OCCURS 38 TIMES.
201	2201	05 CASH-RESERVE-DEF	PIC X(1).
202	2202	05 DUE-DATE	PIC 9(6).
203-1	2208	05 ORIG-AMT	PIC 9(13)V9(2).
203-2	2223	05 ORIG-AMT-SIGN	PIC X(1).
204-1	2224	05 SETT-AMT	PIC 9(13)V9(2).
204-2	2239	05 SETT-AMT-SIGN	PIC X(1).

XLA ADJUSTMENTS RECORD = D02-KL-ADJ-REC

D02-XL-ADJ-REC REDEFINED - RECORD-AREA.

FIELD	LOCATION	DATA-NAME	DATA-TYPE
		03 IGNORE	PIC X(3700).

FIELD	LOCATION	DATA-NAME	DATA-TYPE	
N/A	3701	03 XL-ADJ-DATA-IS-PRESENT	PIC X(1).	
N/A	3702	03 ADJ-RATE	PIC S99V9(7)	SEE END NOTE 1.
N/A	3712	03 ORIG-CURR	PIC X(3).	
N/A	3715	03 MINIMUM	PIC S9(13)V99	SEE END NOTE 1.
N/A	3731	03 DEPOSIT	PIC S9(13)V99	SEE END NOTE 1.
N/A	3747	03 EXCH-RATE-FOR-MIN	PIC 9(8)V9(7)	SEE END NOTE 1.
N/A	3763	03 MINIMUM-IN-ONE-CURR	PIC S9(13)V99	SEE END NOTE 1.
N/A	3779	03 NARR-XOL	PIC X(100).	
N/A	3879	03 COREINSURANCE-IND	PIC X.	
N/A	3880	03 EXCH-RATE-CURR	PIC X.	
N/A	3881	03 PREMIUM-INCOME	PIC S9(13)V99	SEE END NOTE 1.
N/A	3897	03 CURR-FOR-CONV	PIC X(3).	
N/A	3900	03 REAPP-ROE	PIC S9(8)V9(7)	SEE END NOTE 1.
N/A	3916	03 ADJUSTED-AMOUNT	PIC S9(13)V99	SEE END NOTE 1.
N/A	3932	03 PREVIOUSLY-PAID	PIC S9(13)V99	SEE END NOTE 1.
N/A	3948	03 ADJ-DUE-100	PIC S9(13)V99	SEE END NOTE 1.
N/A	3964	03 REAPPORTIONED-MIN	PIC S9(13)V99	SEE END NOTE 1.

END NOTE 1

SIGN IS SEPARATE TRAILING CHARACTER

TREATY STATEMENT RECORD - D05REC-AC-ITEMS

D05REC-AC-ITEMS REDEFINES - RECORD-AREA.

FIELD	LOCATION	DATA-NAME	DATA-TYPE
		03 IGNORE	PIC X(1999).
		03 ITEMS-TABLE	OCCURS 44 TIMES.
301	2000	05 D05-ITEM-NO	PIC 9(3).
302	2003	05 D05-ITEM-AMOUNT	PIC S9(13)V99 SEE END NOTE 1.
303	2836	03 IGNORE	PIC X(03).
304	2839	03 D05-MBR-SETT-AMOUNT	PIC S9(13)V99 SEE END NOTE 1.
305	2855	03 IGNORE	PIC X(19).
306	2874	03 OUTSTANDING-LOSS	PIC X(01).
		03 NARR-INFORMATION.	
307	2875	05 NARR-INFO-1	PIC X(60).
308	2935	05 NARR-INFO-2	PIC X(60).
309	2995	05 NARR-INFO-3	PIC X(60).
310	3055	05 NARR-INFO-4	PIC X(60).
311	3115	03 IGNORE	PIC X(05).

LAST 338 ENDS AT LOCATION: 5568.

END NOTE 1

SIGN IS SEPARATE TRAILING CHARACTER

D08REC.

FIELD	LOCATION	DATA-NAME	DATA-TYPE
1	1	03 REC-TYPE	PIC X(3).
2	4	03 SETT-CURR-ISO	PIC X(3).
3	7	03 SIGNDATE	PIC 9(6).
4	13	03 IGNORE	PIC X(1).
5	14	03 MBR-ACC-NO	PIC X(3).
6	17	03 IGNORE	PIC X(3).
7	20	03 MBR-GROUP-NO	PIC X(3).
8	23	03 D02-CT	PIC 9(4).
9	27	03 D03-CT	PIC 9(4).
10	31	03 D04-CT	PIC 9(4).
11	35	03 D05-CT	PIC 9(4).
12	39	03 D06-CT (NOT IN USE)	PIC 9(4).
13	43	03 SETT-DATE	PIC 9(6).

D08-AMOUNTS.**SPECIALS. (NOT IN USE)**

FIELD	LOCATION	DATA-NAME	DATA-TYPE
14-1	49	05 SP-CS-PREM-AMT	PIC 9(13)V9(2).
14-2	64	05 SP-CS-PREM-SIGN	PIC X(1).
15-1	65	05 SP-CS-RRL-AMT	PIC 9(13)V9(2).
15-2	80	05 SP-CS-RRL-SIGN	PIC X(1).
16-1	81	05 SP-CS-TS-AMT	PIC 9(13)V9(2).
16-2	96	05 SP-CS-TS-SIGN	PIC X(1).
17-1	97	05 SP-CS-CL-AMT	PIC 9(13)V9(2).
17-2	112	05 SP-CS-CL-SIGN	PIC X(1).
18-1	113	05 SP-NCS-PREM-AMT	PIC 9(13)V9(2).
18-2	128	05 SP-NCS-PREM-SIGN	PIC X(1).
19-1	129	05 SP-NCS-RRL-AMT	PIC 9(13)V9(2).
19-2	144	05 SP-NCS-RRL-SIGN	PIC X(1).
20-1	145	05 SP-NCS-TS-AMT	PIC 9(13)V9(2).
20-2	160	05 SP-NCS-TS-SIGN	PIC X(1).
21-1	161	05 SP-NCS-CL-AMT	PIC 9(13)V9(2).
21-2	176	05 SP-NCS-CL-SIGN	PIC X(1).

NORMAL-SETTLEMENT.

FIELD	LOCATION	DATA-NAME	DATA-TYPE
22-1	177	05 CS-PREM-AMT	PIC 9(13)V9(2).
22-2	192	05 CS-PREM-SIGN	PIC X(1).
23-1	193	05 CS-RES-REL-AMT	PIC 9(13)V9(2).
23-2	208	05 CS-RES-REL-SIGN	PIC X(1).
24-1	209	05 CS-TS-AMT	PIC 9(13)V9(2).
24-2	224	05 CS-TS-SIGN	PIC X(1).
25-1	225	05 CS-CL-AMT	PIC 9(13)V9(2).
25-2	240	05 CS-CL-SIGN	PIC X(1).

FIELD	LOCATION	DATA-NAME	DATA-TYPE
26-1	241	05 NCS-PREM-AMT	PIC 9(13)V9(2).
26-2	256	05 NCS-PREM-SIGN	PIC X(1).
27-1	257	05 NCS-RES-REL-AMT	PIC 9(13)V9(2).
27-2	272	05 NCS-RES-REL-SIGN	PIC X(1).
28-1	273	05 NCS-TS-AMT	PIC 9(13)V9(2).
28-2	288	05 NCS-TS-SIGN	PIC X(1).
29-1	289	05 NCS-CL-AMT	PIC 9(13)V9(2).
29-2	304	05 NCS-CL-SIGN	PIC X(1).
30-1	305	05 DEF-AMT	PIC 9(13)V9(2).
30-2	320	05 DEF-SIGN	PIC X(1).
31-1	321	05 RES-CR-AMT	PIC 9(13)V9(2).
31-2	336	05 RES-CR-SIGN	PIC X(1).

DA1REC-OUT.

FIELD	LOCATION	DATA-NAME	DATA-TYPE
1	1	05 DA1	PIC X(3).
2	4	05 DATE-OF-CHANGE	PIC 9(6).
3	10	05 IGNORE	PIC X(4).
4	14	05 MEMBER-CODE	PIC X(6).
5	20	05 MBR-GROUP-NO	PIC X(3).
6	23	05 MEMBER-SHNM	PIC X(12).
7	35	05 BROKER-CODE	PIC X(3).
8	38	05 BROKER-MNEM	PIC X(3).
9	41	05 BROKER-SHNM	PIC X(20).
10	61	05 BROKER-REFA	PIC X(12).
11	73	05 BROKER-REFB	PIC X(12).
12	85	05 AMENDED-SIGN-NO	PIC X(13).
13	98	05 ORIG-MEMBER-REF	PIC X(12).
14	110	05 NEW-MEMBER-REF	PIC X(12).
15	122	05 ORIG-UW-CODE	PIC X(12).

FIELD	LOCATION	DATA-NAME	DATA-TYPE
16	134	05 NEW-UW-CODE	PIC X(12).

DA2REC-OUT. (NOT IN USE)

FIELD	LOCATION	DATA-NAME	DATA-TYPE
1	1	05 DA2	PIC X(3).
2	4	05 DATE-OF-ENTRY	PIC X(6).
3	10	05 IGNORE	PIC X(4).
4	14	05 MEMBER-CODE	PIC X(6).
5	20	05 MBR-GROUP-NO	PIC X(3).
6	23	05 MEMBER-SHNM	PIC X(12).
7	35	05 PSAC-NO	PIC X(12).
8	47	05 MEMBER-REFERENCE	PIC X(12).
9	59	05 MEMBER-UW-CODE	PIC X(12).
10	71	05 ORIG-GENERAL-INFO	PIC X(50).
11	121	05 NEW-GENERAL-INFO	PIC X(50).
12	171	05 ORIG-SPECIF-INFO	PIC X(50).
13	221	05 NEW-SPECIF-INFO	PIC X(50).
14	271	05 ORIG-CLAIM-HIST	PIC X(50).
15	322	05 NEW-CLAIM-HIST	PIC X(50).

D09REC.

FIELD	LOCATION	DATA-NAME	DATA-TYPE
1	1	05 REC-TYPE	PIC X(3).
2	4	05 IGNORE	PIC X(10).
3	14	05 MBR-ACC-NO	PIC X(3).
4	17	05 IGNORE	PIC X(3).
5	20	05 MBR-GRP-NO	PIC X(3).
6	23	05 D02-CT	PIC 9(4).
7	27	05 D03-CT	PIC 9(4).

FIELD	LOCATION	DATA-NAME	DATA-TYPE
8	31	05 D04-CT	PIC 9(4).
9	35	05 D05-CT	PIC 9(4).

DA9REC.

FIELD	LOCATION	DATA-NAME	DATA-TYPE
1	1	05 REC-TYPE	PIC X(3).
2	4	05 IGNORE	PIC X(10).
3	14	05 MBR-ACC-NO	PIC X(3).
4	17	05 IGNORE	PIC X(3).
5	20	05 MBR-GROUP-NO	PIC X(3).
6	23	05 DA1-CT	PIC 9999.
7	27	05 DA2-CT (NOT IN USE)	PIC 9999.

DZ9REC.

FIELD	LOCATION	DATA-NAME	DATA-TYPE
1	1	05 REC-TYPE	PIC X(3).
2	4	05 D02-CT	PIC 9999.
3	8	05 D03-CT	PIC 9999.
4	12	05 D04-CT	PIC 9999.
5	16	05 D05-CT	PIC 9999.

END NOTE 1

SIGN IS SEPARATE TRAILING CHARACTER

3. DATA ELEMENT DIRECTORY

3.1. D01 record type

MBR-GROUP-NO

A unique group code allocated by Lima to a Company for identification purposes or the company member code.

Field:	6	Location:	20
Format:	X(3)		

MBR-GRP-OR-ACC

A unique group code allocated by Lirma to a Company for identification purposes.

Field:	4	Location:	14
Format:	X(3)		

PERIOD-START

A unique code allocated by Lirma to a Company for identification purposes.

Field:	N/A	Location:	29
Format:	X(6)		

PERIOD-END

The end of the settlement period.

Field:	N/A	Location:	35
Format:	X(6)		

WEEK-ENDING

Control date. Date of work.

Field:	7	Location:	23
Format:	9(6)		
Values:	DDMMYY		

3.2. For Common Record Types

D02, D03, D04, D05

ADD-DETAILS

Additional Narrative details

Field:	72	Location:	839
Format:	X(100)		

ADJUSTABLE-PREMIUM

An indicator to denote when the adjustment is the last expected on this risk.

Field:	83	Location:	1240
Format:	X		
Values:	Y	Yes	
	N	No	

ADV-SETT-SEQ-NO

The sequence number allocated to each CLASS advice or settlement claim movement.

Field:	101	Location:	1430
Format:	9(3)		

NOTE: Values could be spaces or zeroes.

AFFECTED-PSAC-NO

The Lirma Signing Reference of a previous transaction which is affected by this transaction.

This number identifies the new LIRMA Number (closing entry) that is being:

- a. Cancelled
- b. Previous Premium reserve is released
- c. Exchange rate amendment to a previous closing
- d. Replacement to a Previous Cancelled entry

Notes: See Appendix 1 for the format of the Lirma References.

Field:	24	Location:	184
Format:	9(13)		

ALT-PSAC-NO

Alternative PSAC Form Number supplied additionally to the New PSAC number.

Field:	23	Location:	169
Format:	X(15)		

AMT-OS

The total amount of outstanding for the claim as advised to the broker, expressed as the 100% brokers order in the currency of loss.

Field:	76-3	Location:	1144
Format:	X(12)		

AP-RP-DETAILS

Additional details relating to the transaction.

NB. Loss date @ disposition of 128 if applicable.

Field:	73	Location:	939
Format:	X(150)		

ASSURED-SHORT-NAME

The assured name. Not used.

Field:	99	Location:	1385
Format:	X(30)		

ATTACHMENTS

Indicates the presence of some additional separate narrative details supplied with the Closing.

Typically, 'specification' supplied by the Broker for distribution to Underwriters.

Field:	85	Location:	1242
Format:	X		

Values:	Y	There are attachments
	N	There are no attachments

BKR-CODE

The last 3 characters of the 4 character broker code which uniquely identifies each broker. (Also see BROKER-CODE-4 for the 4 digit Broker Code).

Field:	14	Location:	83
Format:	X(3)		

BKR-CONTACT

The Broker name and telephone number of the broker contact in respect of this transaction.

Field:	78	Location:	1166
Format:	X(25)		

BKR-CONTACT-TELEPHONE

The telephone number and extension of the broker contact in respect of this transaction.

Field:	134	Location:	1950
Format:	X(15)		

BKR-MNEM

The Broker pseudonym.

Field:	15	Location:	86
Format:	X(12)		

BKR-REF-A

The Broker reference 1, the primary reference allocated by a Broker to a transaction.

Field:	17	Location:	109
Format:	X(12)		

BKR-REF-B

A Broker reference 2, the secondary reference allocated by a Broker to a transaction.

Field:	18	Location:	121
Format:	X(12)		

BROKER-CODE-4

A 4-character code which uniquely identifies each broker.

Field:	122	Location:	1860
Format:	X(4)		

BROKER-SHNM

The Broker short name.

Field:	16	Location:	89
Format:	X(20)		

BROKERAGE-CONV

The amount deducted from the premium in respect of brokerage as agreed between the Broker and the insurers/re-insurers in the original currency.

Field:	107-1	Location:	1684
Format:	9(13).99		

BROKERAGE-CONV-SIGN

The sign for the amount deducted from the premium in respect of brokerage as agreed between the Broker and the insurers/re-insurers in the original currency.

Field:	107-2	Location:	1699
Format:	X		

BROKERAGE-PERCENTAGE

Percentage of gross premium to be deducted in respect of brokerage before payment is made.

Field:	115	Location:	1812
Format:	9(3).9(7)		

BROKERAGE-SETT

The amount deducted from the premium in respect of brokerage as agreed between the Broker and the insurers/re-insurers in the settlement currency.

Field:	108-1	Location:	1700
Format:	9(13).99		

BROKERAGE-SETT-SIGN

The sign for the amount deducted from the premium in respect of brokerage as agreed between the Broker and the insurers/re-insurers in the settlement currency.

Field:	108-2	Location:	1715
Format:	X		

BULK-ENTRY-IND

An indicator to denote if the claim is a bulk settlement.

Field:	87	Location:	1246
Format:	X		
Values	Y	The claim is a Bulk settlement	
	N	The claim is not a Bulk settlement	

CEN-SETT

Central settlement indicator (see SETTLEMENT-INDICATOR for a further breakdown of frequency of settlement).

Field:	5	Location:	9
Format:	X		
Values	Y	Settle via Lirma	
	N	Settle externally to Lirma	
	S	Suspended	

CLAIM-REF

Broker Claim Reference. The Lirma reference number for this claim - only used for non-CLASS claims - i.e. when no UCR/Seq no is sent.

Field:	77	Location:	1156
Format:	X(10)		

CHECKER-INIT

The initials of the person who checked and entered the signing at Lirma.

Field:	86	Location:	1243
Format:	X(3)		

DATE-OF-INCEPTION

Not used.

Field:	97	Location:	1355
Format:	9(6)		
Values:	DDMMYY		

DE-LINKED-INDICATOR

An indication whether transactions were submitted to LPC as de-linked entries.

Field:	133	Location:	1949
Format:	X		
Values:	Y	Transaction was de-linked	
	N	Transaction was not de-linked	

EARLY-SIGNING-AP

Not used.

Field:	118	Location:	1842
Format:	X		

ENTRY-TYPE

The old DSIGN entry type code allocated to identify the type of transaction. Used in conjunction with the ENTRY-TYPE-X-ACTION-IND. For the new entry type three-character codes see - ENTRY-TYPE-2.

Field:	3	Location:	5
Format:	X(2)		

ENTRY-TYPE-2

The new DSIGN entry type code allocated to identify the type of transaction.

See Appendix D for a list of the New Entry Types.

Field:	132	Location:	1946
Format:	X(3)		

ENTRY-TYPE- X-ACTION-IND

A code allocated to identify the transaction type.

Field:	2	Location:	4
Format:	X		
Values:	Space	Normal	
	A	Adjustment	
	C	Credit	
	D	Debit	
	F	Rate of Exchange Adjustment AP or RP	
	I	Interest	
	R	Release of Reserve	
	T	Reinstatement	
	X	Cancellation	
	Y	Replacement	

EST-CURRENCY

ISO currency code of Estimated premium.

Field:	94	Location:	1336
Format:	X(3)		

EST-PREMIUM

The estimated premium income for the risk (100%).

Field:	93-1	Location:	1320
Format:	9(15)		

EXCH-RATE

The rate of exchange which is to be used to convert the transaction amount from original currency to settlement currency.

Field:	101	Location:	1601
Format:	9(8).9(7)		

GROSS-CONV

The Company share of the total amount of Gross premium for an insurance, or reinsurance before agreed deductions in Original Currency.

Field:	105-1	Location:	1652
Format:	9(13).9(2)		

GROSS-CONV-SIGN

The sign for the total amount of Gross Premium.

Field:	105-2	Location:	1667
Format:	X		

GROSS-PREMIUM

The total amount of premium for an insurance, or reinsurance before agreed deductions in Original Currency.

Field:	104-1	Location:	1636
Format:	9(13).9(2)		

GROSS-PREMIUM-SIGN

The sign for the total amount of Gross Premium.

Field:	104-2	Location:	1651
Format:	X		

GROSS-SETT

The Company share of the total amount of Gross premium for an insurance, or reinsurance before agreed deductions in Settlement Currency.

Field:	106-1	Location:	1668
Format:	9(13).9(2)		

GROSS-SETT-SIGN

The sign for the total amount of Gross Sett.

Field:	106-2	Location:	1683
Format:	X		

HIGHEST- EST

The highest claim estimate advised on the Class System for the transaction.

Field:	76-1	Location:	1120
Format:	X(12)		

INSURED

The name of the person/organisation covered by a policy of insurance, or the original insured involved in a policy of Facultative Reinsurance.

When several insured names are specified the first named only will be shown.

Field:	31	Location:	260
Format:	X(50)		

INTEREST

Description of the item or interest in the item which is being insured, or of the type of liability insurance.

Field:	32	Location:	310
Format:	X(50)		

INS-PREM-TAX

The Company Proportion due in respect of Insurance Premium Tax for this transaction. Expressed in settlement currency.

Field:	120	Location:	1844
Format:	9(13).99		

INS-PREM-TAX

The Company Proportion due in respect of Insurance Premium Tax for this transaction. Expressed in original currency.

Field:	126	Location:	1915
Format:	9(13).99		

INS-PREM-TAX-SIGN

The sign of the Company Proportion due in respect of INS-PREM-TAX.

Field:	121	Location:	1859
Format:	X		

INS-PREM-TAX-ORIG-SIGN

The sign of the Company Proportion due in respect of INS-PREM-TAX-ORIG.

Field:	127	Location:	1930
Format:	X		

INS-PREMIUM-TAX-PERC

The percentage tax rate which applies to the premium which will be captured and transmitted for both foreign and UK IPT.

Field:	128	Location:	1931
Format:	9(3).9(7)		

IPT-PART-OR-WHOLE

An indicator to show whether the tax applies to all or only part of the premium.

Note: Calculation details will be provided within the appropriate premium details narrative field.

Field:	129	Location:	1941
--------	-----	-----------	------

Format:	X	
Values:	P	Tax applies to only part of the premium
	W	Tax applies to the whole premium

IPT SETTLED-OR-RECORDED

An indicator to show whether the tax amount is being forwarded to companies via LPC (for members to subsequently pass on to the relevant fiscal authority) or whether it has been paid locally and is just being supplied to members to allow them to record within their internal systems what has been paid on their behalf.

Field:	130	Location:	1942
Format:	X		
Values:	S	Tax settled	
	R	Tax recorded	

IPT-COUNTRY CODE

Companies should note that the provision of this code (which is based upon the location of the risk/client) will not be restricted to premium entries which are subject to an Insurance Premium Tax - ie a country of origin code will be provided on all premium entries that are processed on or after 2 April 2001.

Field:	131	Location:	1943
Format:	X(3)		

LOCATION

The Description of the location or situation of the Interest or the voyage or journey over which the risk is covered.

Field:	34	Location:	410
Format:	X(75)		

MBR-CLAIM-REF1

The insurer's claim reference, as entered onto the Class claim scheme via Interactive facilities. This is only used by Lirma to transmit this information to their members.

Field:	102	Location:	1433
Format:	X(12)		

Note: Values could be spaces or zeroes

MBR-CLAIM-REF2

The insurer's claim reference 2, as entered onto the Class claim scheme via Interactive facilities. This is only used by Lirma to transmit this information to their members.

Field:	103	Location:	1445
Format:	X(12)		

Note: Values could be spaces or zeroes

MBR-CODE

A unique code allocated by Lirma to a Company for identification purposes.

Field:	7	Location:	14
Format:	X(6)		

MBR-GROUP

A unique code allocated by Lirma to a Company for Dsign.

Field:	8	Location:	20
Format:	X(3)		

MBR-REF

The reference allocated by a Company or Syndicate Underwriter at time of writing a Risk.

Field:	10	Location:	35
Format:	X(12)		

MBR-REF2

The reference allocated by a Company or Syndicate Underwriter at time of writing a Risk.

Field:	12	Location:	59
Format:	X(12)		

MBR-SHNM

Member short name.

Field:	9	Location:	23
Format:	X(12)		

MBR-STATS

A secondary reference allocated by a Company or Syndicate Underwriter at the time of writing a Risk.

Field:	11	Location:	47
Format:	X(12)		

MBR-STAT2

Not Used.

Field:	13	Location:	71
Format:	X(12)		

MEMBER-LINE

The proportion of the slip for which the re-insurer accepts liability, expressed as a percentage.

Where the slip has been over subscribed, it represents the insurers written line, proportionately reduced in accordance with slip conditions.

Field:	103	Location:	1626
Format:	9(3).9(7)		

NETT-CONV

The Company Proportion of the nett premium, or claim, expressed in original currency.

Field:	113-1	Location:	1780
Format:	9(13).99		

NETT-CONV-SIGN

The sign of the Nett-Conv.

Field:	113-2	Location:	1795
Format:	X		

NETT-SETT

The company proportion of the nett premium, or claim expressed in settlement currency.

Field:	114-1	Location:	1796
Format:	9(13).99		

NETT-SETT-SIGN

Field:	114-2	Location:	1811
Format:	X		

The sign of the Nett-Sett.

ORIG-CURR-ILU

The old ILU style currency code of the currency in which the transaction was closed. Not sent for Treaty FDOs. Replaced by ORIG-CURR-ISO.

Field:	25	Location:	197
Format:	X(3)		

ORIG-CURR-ISO

The ISO code of the currency in which the transaction was closed. Not sent for Treaty FDOs.

Field:	26	Location:	200
Format:	X(3)		

ORIG- CURRENCY

An indicator to denote if the signing has been settled in the original currency.

Field:	27	Location:	203
Format:	X		
Values:	Y	Yes	
	N	No	

ORIG- PSAC-NO

The PSAC Signing reference of the original premium/treaty FDO transaction to which subsequent transactions relate.

Notes: See Appendix 1 for the format of the Lirma Signing reference.

Field:	21	Location:	143
Format:	9(13)		

OTHERDED-CONV

The company proportion of Other Deductions expressed in the original currency. The amount deducted from the premium in addition to the standard deductions.

Field:	111-1	Location:	1748
Format:	9(13).99		

OTHERDED-CONV-SIGN

The sign for the OTHERDED-CONV.

Field:	111-2	Location:	1763
Format:	X		

OTHERDED-SETT

The company proportion of Other Deductions expressed in the settlement currency. The amount deducted from the premium in addition to the standard deductions.

Field:	112-1	Location:	1764
Format:	9(13).99		

OTHERDED-CONV-SIGN

The sign for the OTHERDED-SETT.

Field:	112-2	Location:	1779
Format:	X		

OTHER-DEDUCTIONS-PERC

The Other Deductions Percentage. The Percentage of gross premium to be deducted in respect of any deductions, other than brokerage or tax, before payment is made.

Field:	117	Location:	1832
Format:	9(3).9(7)		

PERILS

Those events or perils against which the interest is insured.

Field:	33	Location:	360
Format:	X(50)		

PERIOD-POLICY-NARRATIVE

Further details of the period of which the risk is covered, where that cannot be expressed purely in date form.

Field:	58	Location:	715
Format:	X(36)		

PERIOD-POLICY-ORIG-FROM-DATE

Inception date of the original period of policy over which a risk is covered.

Field:	59	Location:	751
Format:	9(6)		
Values:	DDMMYY		

PERIOD-POLICY-ORIG-TO-DATE

Expiry date of the original period of policy over which the Risk is covered.

Field:	60	Location:	757
Format:	9(6)		
Values:	DDMMYY		

PERIOD-POLICY-ORIG-NON-STD-POL

Indicates if the Period Policy Dates are non-standard.

Field:	61	Location:	763
Format:	X		
Values:	Y	If 'Y' 'to' and 'from' dates may be Zero. Further details are shown within the PERIOD-POLICY-NARRATIVE.	
	N		

PERIOD-POLICY-REV-FROM-DATE

Inception date of the revised period of policy over which a risk is covered.

Field:	62	Location:	764
Format:	9(6)		
Values:	DDMMYY		

PERIOD-POLICY-REV-NON-STD-POL

Indicates that further details are shown within the Period Policy Narrative.

Field:	64	Location:	776
Format:	X		
Values:	Y	If 'Y' 'to' and 'from' dates may be Zero. Further details are shown within	

the PERIOD-POLICY-
NARRATIVE.

N

PERIOD-POLICY-REV-TO-DATE

Expiry date of the revised period of policy over which Risk is covered.

Field:	63	Location:	770
Format:	9(6)		
Values:	DDMMYY		

PERIOD- PREMIUM-NARRATIVE

Further details of the period of premium which the risk is covered, where that cannot be expressed purely in date form.

Field:	65	Location:	777
Format:	X(36)		

PERIOD- PREMIUM-ORIG-FROM-DATE

Inception date of the period of premium of the policy over which a Risk is covered.

Field:	66	Location:	813
Format:	9(6)		
Values:	DDMMYY		

PERIOD- PREMIUM-ORIG-NON-STD-PRM

Inception date of the period of premium of the policy over which a Risk is covered.

Field:	68	Location:	825
Format:	X		
Values:	Y	Non-Standard	
	N	Standard	

PERIOD-PREMIUM-ORIG-TO-DATE

Expiry date of the period of the premium of the policy over which the Risk is covered.

Field:	67	Location:	819
Format:	9(6)		
Values:	DDMMYY		

PERIOD-PREMIUM-THIS-AP-FROM-DATE

Inception date of the period of the AP where if is different from the original premium of the policy over which a Risk is covered.

Field:	69	Location:	826
--------	----	-----------	-----

Format:	9(6)
Values:	DDMMYY

PERIOD-PREMIUM-THIS-AP-NON-STD-PRM

Indicates that the Period Premium this AP is non- standard.

Field:	71	Location:	838
Format:	X		
Values:	Y	Non-Standard	
	N	Standard	

PERIOD-PREMIUM-THIS-AP-TO-DATE

Expiry date of the period of the AP premium where it is different from the original premium of the policy over which a Risk is covered.

Field:	70	Location:	832
Format:	9(6)		
Values:	DDMMYY		

PREV-EXCHRATE

Not used.

Field:	74	Location:	1089
Format:	9(8).9(7)		

PREV-NET-AMT

The Net amount of the signing referred to by the affected PSAC Number.

Field:	75-1	Location:	1104
Format:	9(13).99		

PREV-NET-AMT-SIGN

The sign of the PREV-NET-AMT.

Field:	75-2	Location:	1119
Format:	X		

PREVIOUS-SETT

The sum of the amount settled on previous records.

Field:	76-2	Location:	1132
Format:	X(12)		

PSAC-LEAD-SHORT- NAME

The short name of the PSAC leading company.

Field:	90	Location:	1268
Format:	X(20)		

PSAC-NO

A unique reference allocated by Lirma to a Broker transaction it has processed, by which the Bureau is able to identify, access and link associated data.

Notes: See Appendix 1 for the format of the Lirma Signing reference.

Field:	22	Location:	156
Format:	9(13)		

PSAC-TOTAL

The total of the bureau members percentage shares in respect of the Original Bureau Reference.

Field:	102	Location:	1616
Format:	9(3).9(7)		

REC-TYPE

Please see Appendix B for a list of the valid values.

Field:	1	Location:	1
Format:	X(3)		

REINSURED

The name of the Ceding Company involved in reinsurance. For reinsurance of several companies only the first named will be stated.

Field:	30	Location:	210
Format:	X(50)		

SETT-CURR-ILU

The old ILU style currency code of the currency in which settlement of the transaction will be made between Brokers, Underwriters, and the Bureau. Replaced by SETT-CURR-ISO.

Field:	28	Location:	204
Format:	X(3)		

SETT-CURR-ISO

The ISO code of the currency in which settlement of the transaction will be made between Brokers, Underwriters, and the Bureau.

Field:	29	Location:	207
Format:	X(3)		

SETT-DATE

The date (actual payment date) upon which it is agreed that settlement of a particular transaction amount will take place between the Broker and the Bureau or Underwriter.

Field:	21	Location:	137
Format:	9(6)		

Values: DDMMYY

SETTLEMENT-INDICATOR

Indicates the frequency of settlements.

Field:	20	Location:	136
Format:	X		
Values:	A	3-Day	
	W	Weekly	
	S	Suspended (monthly)	
	D	Direct - Defaulting Company	
	B	Direct - Defaulting Broker	
	Z	Direct - Suppressed Line	
	E	Next day (Catastrophe) - for future use.	

SLIP-LEAD-SHORT-NAME

The short name of the slip leader.

Field:	89	Location:	1248
Format:	X(20)		

SLIP-ORDER-ORIG-NON-STD-SO

Indicates the Slip Order Original is non-standard.

Field:	51	Location:	672
Format:	X		
Values	Y	Non-Standard	
	N	Standard	

SLIP-ORDER-ORIG-SLIP-ORDER1

A percentage representing that proportion of the 100% Sum Insured/Limits to which an underwriter's signed line should be applied to calculate the underwriter's liability.

Field:	49	Location:	652
Format:	9(3).9(7)		

SLIP-ORDER-ORIG-SLIP-ORDER2

A further percentage to be used in conjunction with Slip Order Original - Slip Order 1.

Field:	50	Location:	662
Format:	9(3).9(7)		

SLIP-ORDER-REV-NON-STD-SO

Indicates if the Slip Order is non-standard.

Field:	54	Location:	693
Format:	9(3).9(7)		
Values:	Y	Non-Standard	
	N	Standard	

SLIP-ORDER-REV-SLIP-ORDER1

Revised Slip Order 1.

Field:	52	Location:	673
Format:	9(3).9(7)		

SLIP-ORDER-REV-SLIP-ORDER2

Revised Slip Order 2.

Field:	53	Location:	683
Format:	9(3).9(7)		

SLIP-ORDER-THIS-AP-NON-STD-SO

Indicates the Slip Order This AP is non-standard

Field:	57	Location:	714
Format:	X		
Values:	Y	Non-Standard	
	N	Standard	
	P	Non-Standard if before 1/12/1984	

SLIP-ORDER-THIS-AP-SLIP-ORDER1

A percentage representing that proportion of the 100% Sum Insured/Limits to which an underwriter's signed line should be applied to calculate the underwriter's liability.

Field:	55	Location:	694
Format:	9(3).9(7)		

SLIP-ORDER-THIS-AP-SLIP-ORDER2

A further percentage to be used in conjunction with Slip Order This AP - Slip Order 1.

Field:	56	Location:	704
Format:	9(3).9(7)		

SLIP-REG-NO

The number registered on the Slip Registration system.

Field:	98	Location:	1361
Format:	X(24)		

SMALL-CLAIMS-IND

Indicates that the signing covers many small claims on the same risk.

Field:	88	Location:	1247
Format:	X		

SPECIAL

Weekly or Special indicators. As Specials are no longer used the field defaults to W weekly. Please see **settlement indicator** for further details of settlement period.

Field:	3	Location:	7
Format:	X		
Values:	W	Weekly	
	S	Suspended	

STATEMENT-NARRATIVE

A description of the statement period when no fixed dates have been given.

Field:	79	Location:	1191
Format:	X(36)		

STATEMENT-PERIOD-FROM-DATE

The first date of period to which the statement applies.

Field:	80	Location:	1227
Format:	9(6)		
Values:	DDMMYY		

STATEMENT-PERIOD-NON-STD-PRD

Treaty Statement Period Non-Standard Indicator.

Field:	82	Location:	1239
Format:	X		
Values:	Y	Non-Standard	
	N	Standard	

STATEMENT-PERIOD-TO-DATE

The last date of the period to which the statement applies.

Field:	81	Location:	1233
Format:	9(6)		
Values:	DDMMYY		

SUM-INSURED-NARRATIVE

Brief narrative details of Sum Insured/Limits of Liability plus brief details of any underlying amounts.

Field:	35	Location:	485
Format:	X(100)		

SUM-INSURED-ORIG-HIGHEST-TOTAL

The total Sum Insured or the maximum liability to which the Insurers are exposed at inception.

Field:	36	Location:	585
Format:	9(15)		

SUM-INSURED-ORIG-HIGH-CURR-ISO

The sum-insured ISO currency.

Field:	37	Location:	600
Format:	X(3)		

SUM-INSURED-ORIG-HIGH-CURR-ILU

The sum-insured old style ILU currency. See SUM-INSURED-ORIG-HIGH-CURR-ISO.

Field:	38	Location:	603
Format:	X(3)		

SUM-INSURED-ORIG-INCREASED-SI

An indicator for if the sum insured is increasing.

Field:	39	Location:	606
Format:	X		
Values:	Y		
	N		

SUM-INSURED-ORIG-NON-STD-SI

Identifies if the market SUM-INSURED-ORIG is non-standard.

Field:	40	Location:	607
Format:	X		
Values:	Y	Non-Standard	
	N	Standard	

SUM-INSURED-REV-HIGHEST-TOTAL

The total sum insured or the maximum liability to which the insurers are exposed, as a result of a revision to the policy.

Field:	41	Location:	608
Format:	9(15)		

SUM-INSURED-REV-HIGH-CURR-ILU

The old ILU style currency code of the revised Sum Insured amount. Replaced by SUM-INSURED-REV-HIGH-CURR-ISO.

Field:	43	Location:	626
Format:	X(3)		

SUM-INSURED-REV-HIGH-CURR-ISO

ISO currency code of revised Sum Insured amount.

Field:	42	Location:	623
Format:	X(3)		

SUM-INSURED-REV-NON-STD-SI

Identifies if the Sum Insured Revised is a non-standard amount field.

Field:	44	Location:	629
Format:	X		
Values:	Y	Non-Standard	
	N	Standard	

SUM-INSURED-THIS AP-HIGHEST-TOTAL

The total Sum Insured or the maximum liability to which the insurers are exposed at the time of the additional premium.

Field:	45	Location:	630
Format:	9(15)		

SUM-INSURED-THIS-AP-ORIG-HIGH-CURR-ILU

The old ILU style currency code of the AP Sum Insured amount. Replaced by SUM-INSURED-THIS-AP-HIGH-CURR-ISO.

Field:	47	Location:	648
Format:	X(3)		

SUM-INSURED-THIS-AP-HIGH-CURR-ISO

ISO currency code of the AP Sum Insured amount.

Field:	46	Location:	645
Format:	X(3)		

SUM-INSURED-THIS-AP-NON-STD-SI

Identifies if the Sum Insured this AP amount is a non- standard amount.

Field:	48	Location:	651
Format:	X		
Values:	Y	Non-Standard	
	N	Standard	

TAX-CONV

The company proportion of tax deducted from the premium in original currency.

Field:	109-1	Location:	1716
Format:	9(13).99		

TAX-CONV-SIGN

The sign for the company proportion of tax deducted from the premium in original currency.

Field:	109-2	Location:	1731
Format:	X		

TAX-SETT

The company proportion of tax deducted from the premium in settlement currency.

Field:	110-1	Location:	1732
Format:	9(13).99		

TAX-SETT-SIGN

The sign for the company proportion of tax deducted from the premium in settlement currency.

Field:	110-2	Location:	1747
Format:	X		

TAX-PERC

Tax Percentage. The percentage of gross premium to be deducted in respect of tax before payment is made.

Field:	116	Location:	1822
Format:	9(3).9(7)		

TERMS-OF-TRADE-DATE

The date for the Terms of Trade.

Field:	96	Location:	1349
Format:	9(6)		
Values:	DDMMYY		

TERRORISM-CASE

Indicates that the signing is subject to Pool RE conditions.

Field:	119	Location:	1843
Format:	X		
Values:	Y	Yes	
	N	No	

TR-17

A transaction Reference which, when taken in conjunction with a Unique Market Reference or a Unique Claim Reference, uniquely identifies a transaction.

Field:	125	Location:	1898
Format:	X(17)		
Values:	A 1 alpha character denoting the code group of the originator, followed by A 4 character code to identify the originator within the		

code group, followed by up to 12 characters for the reference,
with no embedded blanks

UCR-17

The Unique Transaction Reference allocated by the broker that uniquely identifies a claim.

Field:	123	Location:	1864
Format:	X(17)		
Values:	A 1 alpha character denoting the code group of the originator, followed by A 4-character code to identify the originator within the code group, followed by up to 12 characters for the reference, with no embedded blanks		

UMR-17

The Unique Market Reference allocated by the Broker that uniquely identifies a risk placed in the London Insurance Market.

Field:	124	Location:	1881
Format:	X(17)		
Values:	A 1 alpha character denoting the code group of the originator, followed by a 4 character code to identify the originator within the code group, followed by up to 12 characters for the reference, with no embedded blanks		

UNIQUE CLAIM REFERENCE

The Unique Transaction Reference allocated by the broker that uniquely identifies a claim. The field is defined as the last 15 characters of the UCR. For the full 17 characters please see UCR-17.

Field:	110	Location:	1415
Format:	X(15)		

Note: Values could be spaces or zeros.

VAT

Code categorising the Risk for Value Added Tax Purposes. VAT code is captured on Premiums, but VAT is only paid on a 'service' such as legal fees due on a claim - not on a premium or claim.

Field:	84	Location:	1241
Format:	X		
Values:	X	MAT Risk only in EEC - Exempt	
	Z	MAT Risk journeys to/from outside the EEC - Zero Rated	

M	Mixed - 50% Exempt and 50% Zero Rated
E	Exempt
N	None
Space	None

WRITTEN-LINE

Members written line advised to Lirma. Not used

Field:	95	Location:	1339
Format:	9(3).9(7)		

3.3. D02 DEFERRED RECORD

D02-REC-DEFERRED

(Group occurs 38 times)

CASH-RESERVE-DEF

The method of payment which will be applied to the premium, in accordance with the terms of the slip.

Field:	201	Location:	2201
Format:	X		
Values:	C	Cash	
	D	Deferred	
	R	Reserve	

DUE-DATE

The date at which a net instalment is due to be paid.

Field:	202	Location:	2202
Format:	9(6)		
	DDMMYY		

ORIG-AMT

The company proportion of the premium in Original Currency (if different from Settlement), after agreed deductions, for payment which is Cash, Deferred (deferred until the Due Date) or Reserve. Use in Conjunction with CASH-RESERVE-DEF, the DUE-DATE, and the SETT-AMT.

Field:	203-1	Location:	2208
Format:	9(13).99		

ORIG-AMT

The sign for the ORIG-AMT.

Field:	203-2	Location:	2223
Format:	X		

SETT-AMT

The company proportion of the premium in Settlement Currency, after agreed deductions, for which payment is either Cash, Deferred (deferred until the Due Date) or Reserve. Use in Conjunction with CASH-RESERVE-DEF and the DUE-DATE.

Field:	204-1	Location:	2224
Format:	9(13).99		

SETT-AMT-SIGN

The sign for the SETT-AMT.

Field:	204-2	Location:	2239
Format:	X		

D02 XLA ADJUSTMENTS RECORDS**D02-XL-ADJ-REC****ADJ-DUE-100**

This is calculated by subtracting the Previously Paid Amount from the Adjusted Amount taking into account any minimum premium stipulation.

Field:	N/A	Location:	3948
Format:	S9(13).9(2)		

ADJ-RATE

The percentage which is applied to Premium Income to calculate the Earned Premium.

Field:	N/A	Location:	3702
Format:	S9(3).9(7)		

ADJUSTED-AMOUNT

This is calculated by applying the Adjustment Rate, to the Premium Income figure. If reapportionment required, the figure should be the resultant after having applied the reapportionment factors.

Field:	N/A	Location:	3916
Format:	S9(13).9(2)		

COREINSURANCE-IND

An indicator to denote whether or not co-reinsurance is in effect. If it is, then the slip order percentages cannot be applied in calculating the Actual Premium Due.

Field:	N/A	Location:	3879
Format:	X		
Values:	Y	Co-reinsurance is in effect	

N
There is no Co-
reinsurance

CURR-FOR-CONV

The ISO code for the currency which has been used to check if any minimum premium has been exceeded. It may also be used in reapportionment calculations.

Field:	N/A	Location:	3897
Format:	X(103)		

DEPOSIT

The estimated premium, paid on the original signing, to be adjusted depending on the income received. May be zero.

Field:	N/A	Location:	3731
Format:	S9(13).9(2)		

EXCH-RATE-CURR

Not used.

Field:	N/A	Location:	3880
Format:	X		

EXCH-RATE-FOR-MIN

The rate of exchange which has been used to check if any minimum premium has been exceeded.

Field:	N/A	Location:	3747
Format:	9(8).9(7)		

MINIMUM

The amount below which an adjustment RP may not reduce the deposit.

Field:	N/A	Location:	3715
Format:	S9(13).9(2)		

MINIMUM-IN-ONE-CURR

The total minimum premium for the slip, expressed as a 100% figure in one currency.

Field:	N/A	Location:	3763
Format:	S9(13).9(2)		

NARR-XOL

Explanatory details, where necessary, of the Minimum or Deposit premium and terms of payment and adjustment.

Field:	N/A	Location:	3779
Format:	X(100)		

ORIG-CURR

The ISO code of the currency in which the transaction was closed.

Field:	N/A	Location:	3712
Format:	X(3)		

PREMIUM-INCOME

The amount given by the cedant to the broker.

Field:	N/A	Location:	3881
Format:	S9(13).9(2)		

PREVIOUSLY-PAID

The amount of premium paid on the contract including any previous adjustments.

Field:	N/A	Location:	3932
Format:	S9(13).9(2)		

REAPP-ROE

The rate of exchange which has been used to check if any reapportioned premium has been exceeded.

Field:	N/A	Location:	3900
Format:	S9(8).9(7)		

REAPPORTIONED-MIN

The minimum premium after the reapportionment calculation has been applied.

Field:	N/A	Location:	3964
Format:	S9(13).9(2)		

XL-ADJ-DATA-IS-PRESENT

XL Adjustment data is present.

Field:	N/A	Location:	3701
Format:	X		
Values:	Y	Data present	
	N	No data present	

D05 TREATY STATEMENT ITEMS**D05-REC-AC-ITEMS****D05-ITEMS-NO**

Please see Appendix C for a list of item numbers and descriptions.

(Occurs 44 times)

Field:	301	Location:	2000
Format:	9(3)		

D05-ITEM-AMOUNT

The amount for the D05 item.

(Occurs 44 times)

Field:	302	Location:	2003
Format:	S9(13).9(2)		

D05-MBR-SETT-AMOUNT

The member's settlement amount for this statement. This is the amount that will appear on the M02 settlement advice, given in settlement currency.

Field:	304	Location:	2839
Format:	S9(13).9(2)		

NARR-INFO-1

Narrative information available if the Item Identifier = 500.

Field:	307	Location:	2875
Format:	X(60)		

NARR-INFO-2

Narrative information available if the Item Identifier = 500.

Field:	308	Location:	2935
Format:	X(60)		

NARR-INFO-3

Narrative information available if the Item Identifier = 500.

Field:	309	Location:	2995
Format:	X(60)		

NARR-INFO-4

Narrative information available if the Item Identifier = 500.

Field:	310	Location:	3055
Format:	X(60)		

OUTSTANDING-LOSS

A code used to qualify the outstanding loss position at the end of a periodic account when outstanding loss amount is zero.

Field:	306	Location:	2874
Format:	X		

Values:	N	Nil (No further claim likely)
	Y	None advised
	Space	Request for more info

D05 TREATY STATEMENT ADDITIONAL CLAIMS

ADD-CLAIMS-PRESENT

An indicator to denote if there are additional claims.

Field:	312	Location:	3120
Format:	X		
Values:	Y	Data present	

CASH-LOSSES

The amount of an individual cash loss affecting a Treaty expressed as a 100% figure, in original currency.

Field:	337	Location:	3395
Format:	S9(13).9(2)		

CASH-LOSS-CONTRA-ENTRY

The amount of an individual contra entry to previously paid cash loss, expressed as a 100% figure, in original currency.

Field:	338	Location:	3411
Format:	S9(13).9(2)		

CLAIM-PORTFOLIO-INCOMING

The amount paid to re-insurers in respect of the assumption of liability for outstanding claims on an individual loss affecting a Treaty.

Field:	330	Location:	3283
Format:	S9(13).9(2)		

CLAIM-PORTFOLIO-OUTGOING

The amount paid by re-insurers in respect of the discharge of liability for outstanding claims on an individual loss affecting a Treaty.

Field:	331	Location:	3299
Format:	S9(13).9(2)		

CLAIM-RESERVE-OCA-INTEREST

The amount of interest paid to re-insurers in respect of Claim Reserve or OCA on an individual loss affecting a Treaty.

The amount is expressed as a 100% figure, in original currency.

Field:	333	Location:	3331
--------	-----	-----------	------

Format: S9(13).9(2)

CLAIM-RESERVE-RELEASED

The amount of claim reserve released by the cedant in respect of outstanding claims on an individual loss affecting a Treaty.

This amount which is expressed as a 100% figure in original currency.

Field: 327 Location: 3235

Format: S9(13).9(2)

CLAIM-RESERVE-RETAINED

The amount of claim reserve retained by the cedant in respect of outstanding claims on an individual loss affecting a Treaty.

This amount which is expressed as a 100% figure in original currency.

Field: 326 Location: 3219

Format: S9(13).9(2)

DATE-OF-LOSS

The occurrence date of an individual Loss affecting a treaty which cannot be expressed in fixed format.

Field: 320 Location: 3121

Format: X(15)

LOSS-DETAILS

Narrative details of an individual loss affecting a Treaty.

Field: 325 Location: 3189

Format: X(30)

LUNCO-CAT-NUMBER

Contains a Major Casualty/Related event code. Allocated by the claims offices, to identify the various interests involved in a particular casualty or event.

Field: 321 Location: 3136

Format: X(4)

NAME-OF-LOSS

Name of vessel, aircraft id, name of assured etc.

Field: 323 Location: 3144

Format: X(15)

NATURE-OF-CLAIM

The nature of the claim in respect of an individual loss affecting a Treaty.

Field: 324 Location: 3159

Format: X(30)

OCA-RELEASED

The amount of OCA released by the cedant in respect of outstanding claims on an individual loss affecting a Treaty.

This amount is expressed as a 100% figure in original currency.

Field: 329 Location: 3267

Format: S9(13).9(2)

OCA-RETAINED

The amount of OCA retained by the cedant in respect of outstanding claims on an individual loss affecting a Treaty.

This amount is expressed as a 100% figure in original currency.

Field: 328 Location: 3251

Format: S9(13).9(2)

OUTSTANDING-LOSSES

The outstanding loss amount for an individual loss affecting the Treaty, expressed as a 100% figure in original currency.

Field: 334 Location: 3347

Format: S9(13).9(2)

PAID-CLAIMS

Paid Claim Amount of an individual loss affecting a Treaty. Expressed as a 100% figure in original currency.

Field: 335 Location: 3363

Format: S9(13).9(2)

PAID-REFUNDS

Refund Amount in respect of an individual loss affecting a Treaty. Expressed as a 100% figure in original currency.

Field: 336 Location: 3379

Format: S9(13).9(2)

PCS-CAT-NUMBER

Contains a Property Claims Service Code. Allocated by the Property Claims Services to indicate a major loss in the USA.

Field: 322 Location: 3140

Format: X(4)

REINSURANCE-RECOVERIES

The amount recovered from reinsurances in respect of an individual loss affecting a Treaty expressed as a 100% figure in original currency.

Field:	332	Location:	3315
Format:	S9(13).9(2)		

3.4. D08 CONTROL TOTAL - RECORDS

D08-REC (per currency)

D02-CT

Total number of D02 signings.

Field:	8	Location:	23
Format:	9(4)		

D03-CT

Total number of D03 signings.

Field:	9	Location:	27
Format:	9(4)		

D04-CT

Total number of D04 signings.

Field:	10	Location:	31
Format:	9(4)		

D05-CT

Total number of D05 signings.

Field:	11	Location:	35
Format:	9(4)		

D06-CT

Total number of D05 signings.

Field:	12	Location:	39
Format:	9(4)		

MBR-ACC-NO

A unique code allocated by Lima to a Company for identification purposes.

Field:	5	Location:	14
Format:	X(3)		

MBR-GROUP-NO

A unique code allocated by Lirma to a Company for Dsign.

Field:	7	Location:	20
Format:	X(3)		

REC-TYPE

Please see Appendix B for a list of the valid values.

Field:	1	Location:	1
Format:	X(3)		

SETT-CURR-ISO

The settlement ISO currency.

Field:	2	Location:	4
Format:	X(3)		

SETT-DATE

The date upon which it is agreed that settlement of a particular transaction amount will take place between the broker and the Bureau or Underwriter.

Field:	13	Location:	43
Format:	9(6)		
Values:	DDMMYY		

SIGNDATE

The date of signing.

Field:	9(6)	Location:	7
Format:	9(6)		
Values:	DDMMYY		

3.5. D08 CONTROL TOTAL - SPECIALS

D08-AMOUNTS

SPECIALS - not used

SP-CS-CL-AMT

Not used.

Field:	17-1	Location:	97
Format:	9(13).9(2)		

SP-CS-CL-SIGN

Not used.

Field:	17-2	Location:	112
Format:	X		

SP-CS-PERM-AMT

Not used.

Field:	14-1	Location:	49
Format:	9(13).9(2)		

SP-CS-PERM-SIGN

Not used.

Field:	14-2	Location:	64
Format:	X		

SP-CS-RRL-AMT

Not used.

Field:	15-1	Location:	65
Format:	9(13).9(2)		

SP-CS-RRL-SIGN

Not used.

Field:	15-2	Location:	80
Format:	X		

SP-CS-TS-AMT

Not used.

Field:	16-1	Location:	81
Format:	9(13).9(2)		

SP-CS-TS-SIGN

Not used.

Field:	16-2	Location:	96
Format:	X		

SP-NCS-CL-AMT

Not used.

Field:	21-1	Location:	161
Format:	9(13).9(2)		

SP-NCS-CL-SIGN

Not used.

Field:	21-2	Location:	176
Format:	X		

SP-NCS-PREM-AMT

Not used.

Field:	18-1	Location:	113
Format:	9(13).9(2)		

SP-NCS-PREM-SIGN

Not used.

Field:	18-2	Location:	128
Format:	X		

SP-NCS-RRL-AMT

Not used.

Field:	19-1	Location:	129
Format:	9(13).9(2)		

SP-NCS-RRL-SIGN

Not used.

Field:	19-2	Location:	144
Format:	X		

SP-NCS-TS-AMT

Not used.

Field:	20-1	Location:	145
Format:	9(13).9(2)		

SP-NCS-TS-SIGN

Not used.

Field:	20-2	Location:	160
Format:	X		

3.6. D08 CONTROL TOTAL - NORMAL SETTLEMENT

D08-AMOUNTS

NORMAL-SETTLEMENT.

CS-CL-AMT

Central Settlement Claim amount total.

Field:	25-1	Location:	225
Format:	9(13).9(2)		

CS-CL-SIGN

Central Settlement Claim amount total sign.

Field:	25-2	Location:	240
Format:	X		

CS-PERM-AMT

Central Settlement Premium total.

Field:	22-1	Location:	177
Format:	9(13).9(2)		

CS-PERM-SIGN

Central Settlement Premium total sign.

Field:	22-2	Location:	192
Format:	X		

CS-RES-REL-AMT

Central Settlement Reserve Release Total.

Field:	23-1	Location:	193
Format:	9(13).9(2)		

CS-RES-REL-SIGN

Central Settlement Reserve Release Total Sign.

Field:	23-2	Location:	208
Format:	X		

CS-TS-AMT

Central Settlement Treaty amount total.

Field:	24-1	Location:	209
Format:	9(13).9(2)		

CS-TS-SIGN

Central Settlement Treaty amount total sign.

Field:	24-2	Location:	224
Format:	X		

DEF-AMT

Deferred amount total.

Field:	30-1	Location:	305
Format:	9(13).9(2)		

DEF-SIGN

Deferred amount total sign.

Field:	30-2	Location:	320
Format:	X		

NCS-CL-AMT

Non-Central Settlement Claim amount total.

Field:	29-1	Location:	289
Format:	9(13).9(2)		

NCS-CL-SIGN

Non-Central Settlement Claim amount total sign.

Field:	29-2	Location:	304
Format:	X		

NCS-PREM-AMT

Non-Central Settlement Premium amount total.

Field:	26-1	Location:	241
Format:	9(13).9(2)		

NCS-PREM-SIGN

Non-Central Settlement Premium amount total sign.

Field:	26-2	Location:	256
Format:	X		

NCS-RES-REL-AMT

Non-Central Settlement Reserve Release amount total.

Field:	27-1	Location:	257
Format:	9(13).9(2)		

NCS-RES-REL-SIGN

Non-Central Settlement Reserve Release amount total sign.

Field:	27-2	Location:	272
Format:	X		

NCS-TS-AMT

Non-Central Settlement Treaty amount total.

Field:	28-1	Location:	273
Format:	9(13).9(2)		

NCS-TS-SIGN

Non-Central Settlement Treaty amount total sign.

Field:	28-2	Location:	288
Format:	X		

RES-CR-AMT

Reserve Credit amount total.

Field:	31-1	Location:	321
Format:	9(13).9(2)		

RES-CR-SIGN

Reserve Credit amount total sign.

Field:	31-2	Location:	336
Format:	X		

3.7. DA1 AMENDMENT RECORD

Amendment of Member References

Following all D01 to D09 records.

AMENDED-SIGN-NO

The Lirma Signing reference amended.

Field:	12	Location:	85
Format:	X(13)		

BROKER-CODE

A code which uniquely identifies each broker.

Field:	7	Location:	35
Format:	X(3)		

BROKER-MNEM

The Broker pseudonym.

Field:	8	Location:	38
Format:	X(3)		

BROKER-REFA

The Broker reference 1.

Field:	10	Location:	61
Format:	X(12)		

BROKER-REFB

The Broker reference 2.

Field:	11	Location:	73
Format:	X(12)		

BROKER-SHNM

The Broker short name.

Field:	9	Location:	41
Format:	X(20)		

DATE-OF-CHANGE

Date of change.

Field:	2	Location:	4
Format:	9(6)		
Values:	DDMMYY		

DA1

Record Type DA1.

Field:	1	Location:	1
Format:	X(3)		

MBR-GROUP-NO

A unique code allocated by Lima to a Company for Dsign.

Field:	5	Location:	20
Format:	X(3)		

MEMBER-SHNM

Member short name.

Field:	6	Location:	23
Format:	X(12)		

MEMBER-CODE

A unique code allocated by Lima to a Company for identification purposes.

Field:	4	Location:	14
Format:	X(6)		

NEW-MEMBER-REF

The new reference allocated by a Company or Syndicate Underwriter.

Field:	14	Location:	110
Format:	X(12)		

NEW-UW-CODE

Not used.

Field:	16	Location:	134
Format:	X(12)		

ORIG-MEMBER-REF

The original reference allocated by a Company or Syndicate Underwriter.

Field:	13	Location:	98
Format:	X(12)		

ORIG-UW-CODE

Not used.

Field:	15	Location:	122
Format:	X(12)		

3.8. DA2 AMENDMENT RECORD

Private Information Details - No longer used.

3.9. DA3 AMENDMENT RECORD

Amendment of Broker References - No longer used.

3.10. DA9 CONTROL RECORD

Control record for the amendment records DA1A.

DA1-CT

Total number of DA1 records.

Field:	6	Location:	23
Format:	9(4)		

MBR-ACC-NO

A unique code allocated by Lirma to a Company for identification purposes.

Field:	3	Location:	14
Format:	X(3)		

MBR-GROUP-NO

A unique group code allocated by Lirma to a Company for identification purposes or the company member code.

Field:	5	Location:	20
Format:	X(3)		

REC-TYPE

Values:	DA9		
Field:	1	Location:	1
Format:	X(3)		

3.11. D09 CONTROL RECORD

Following at the end of all D01 to D08 data records for this account.

D02-CT

D02 control total.

Field:	6	Location:	23
Format:	9(4)		

D03-CT

D03 control total.

Field:	7	Location:	27
Format:	9(4)		

D04-CT

D04 control total.

Field:	8	Location:	31
Format:	9(4)		

D05-CT

D05 control total.

Field:	9	Location:	35
Format:	9(4)		

MBR-ACC-NO

A unique code allocated by Lirma to a Company for identification purposes.

Field:	3	Location:	14
Format:	X(3)		

MBR-GRP-NO

A unique group code allocated by Lirma to a Company for identification purposes or the company member code.

Field:	5	Location:	20
Format:	X(3)		

MBR-GRP-NO

Values:	D09		
Field:	1	Location:	1
Format:	X(3)		

3.12.DZ9 CONTROL RECORD**Following at the end of all separate account details forming a group. Group users only.****D02-CT**

D02 control total.

Field:	2	Location:	4
Format:	X(4)		

D03-CT

D03 control total.

Field:	3	Location:	8
Format:	X(4)		

D04-CT

D04 control total.

Field:	4	Location:	12
Format:	X(4)		

D05-CT

D05 control total.

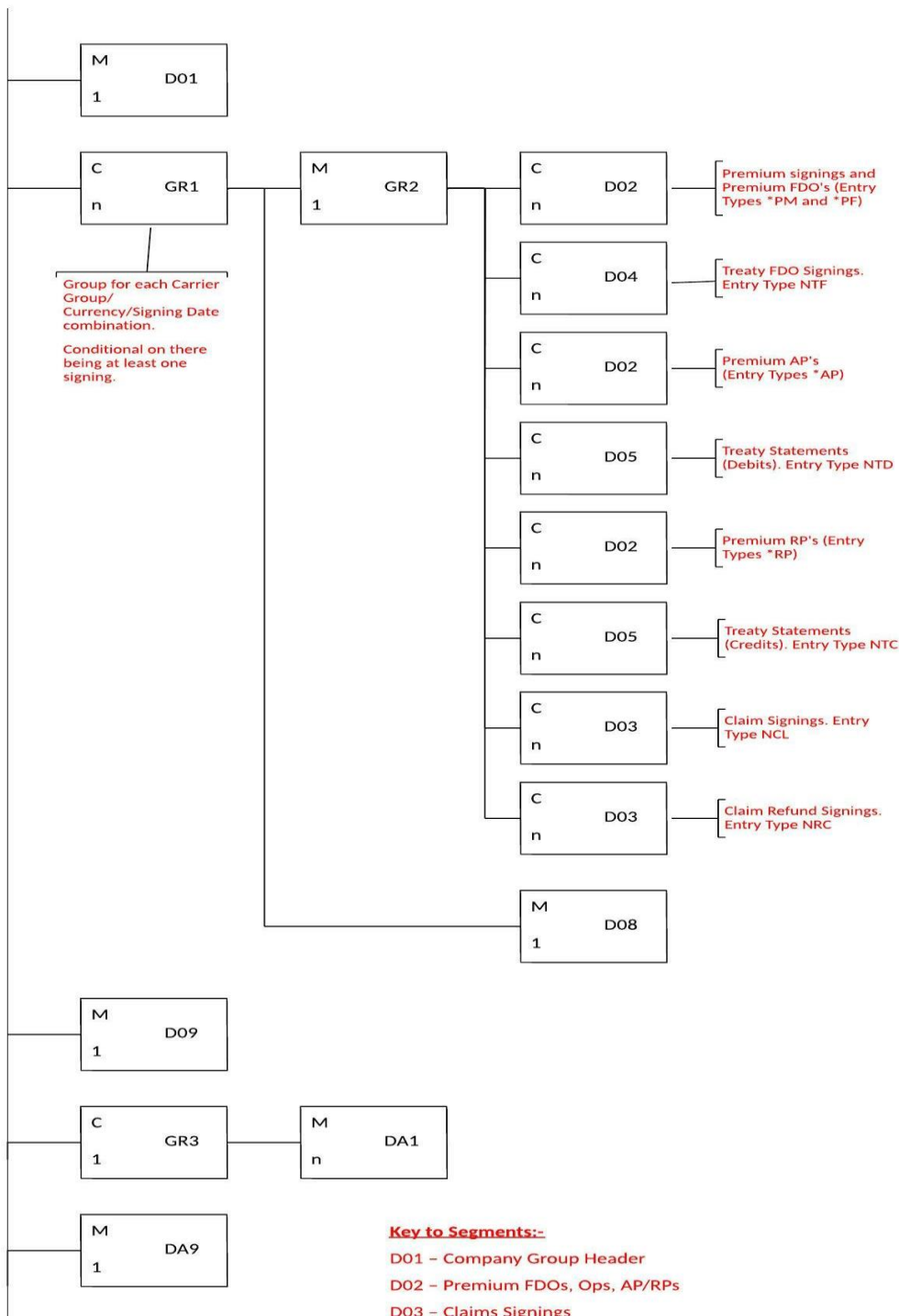
Field:	5	Location:	16
Format:	X(4)		

REC-TYPE

Values:	DZ9		
Field:	1	Location:	1
Format:	X(3)		

DSIGN Message Structure Diagram

DSIGN MESSAGE STRUCTURE



- Key to Segments:-**
- D01 – Company Group Header
 - D02 – Premium FDOs, Ops, AP/RPs
 - D03 – Claims Signings
 - D04 – Treaty FDO signings
 - D05 – Treaty Statement Signings
 - D08 – Totals for Company Group/Currency/Signing Date
 - D09 – Totals for Company Group
 - DA1 – Company Reference Amendments
 - DA9 – Total Number of Company Reference Amendments

Signing Detail Message

Message example

Whole Message Header	
Carrier Group 1	D01 - Data 1st Record
	D02 Premium
	D03 Claim
	D04 Proportional Treaty FDO
	D05 Proportional Treaty Statement
	D08 - Control Record (Amount Totals for Data Type)
	D09 - Control Record (Total number of records for Data Type)
Carrier Group 1	DA1 - Amendment Record
	DA9 - Amendment Record (Control Record for all DA1 records)
Carrier Group 2	D01 - Data 1st Record
	D02 Premium
	D03 Claim
	D04 Proportional Treaty FDO
	D05 Proportional Treaty Statement
	D08 - Control Record (Amount Totals for Data Type)
	D09 - Control Record (Total number of records for Data Type)
Carrier Group 2	DA1 - Amendment Record
	DA9 - Amendment Record (Control Record for all DA1 records)
DZ9 - Total records for Group	
Whole Message Footer	